

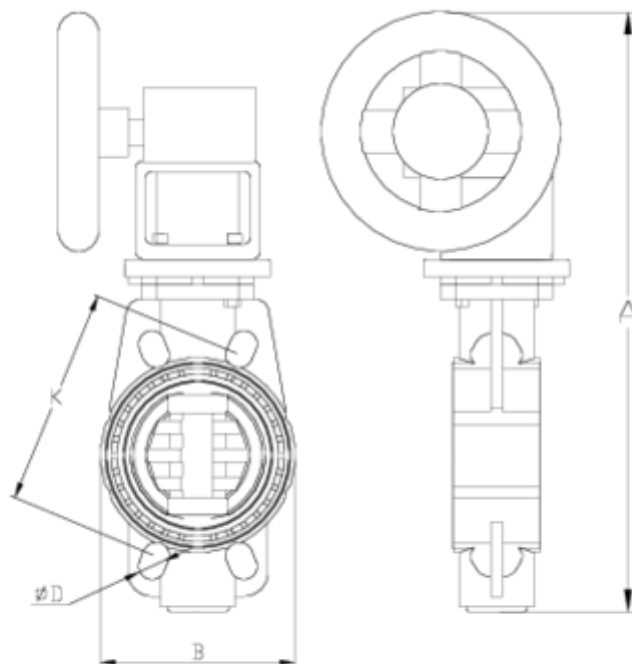


## Válvulas de mariposa PP-RCT

# Válvula de mariposa Implex PP-RCT reductor manual crema ITEM 12P



| REFERENCIA | DESCRIPCIÓN                                  | Peso neto | Volumen (m <sup>3</sup> ) | Peso bruto | Unidades lote |
|------------|--|-----------|---------------------------|------------|---------------|
| 109P100    | V. M. IMPLEX PP-RCT RED. MANUAL EPDM 63      | 2,509     | 0,02243                   | 2,9967     | 1             |
| 109P101    | V. M. IMPLEX PP-RCT RED. MANUAL EPDM 75      | 2,5386    | 0,02243                   | 3,0263     | 1             |
| 109P102    | V. M. IMPLEX PP-RCT RED. MANUAL EPDM 90      | 2,9488    | 0,01553                   | 3,2755     | 1             |
| 109P103    | V. M. IMPLEX PP-RCT RED. MANUAL EPDM 110     | 3,2068    | 0,02243                   | 3,6945     | 1             |
| 109P105    | V. M. IMPLEX PP-RCT RED. MANUAL EPDM 125/140 | 3,9415    | 0,02243                   | 4,4292     | 1             |
| 109P106    | V. M. IMPLEX PP-RCT RED. MANUAL EPDM 160     | 4,3656    | 0,03648                   | 4,9596     | 1             |
| 109P107    | V. M. IMPLEX PP-RCT RED. MANUAL EPDM 200     | 5,3849    | 0,06149                   | 6,3054     | 1             |



## ITEM 12P | Válvula de mariposa Implex PP-RCT reductor manual crema

| CÓDIGO | Ø       | DN  | PESO | A   | B   | D    | K       | PN |
|--------|---------|-----|------|-----|-----|------|---------|----|
| 9P100  | 63      | 65  | 3145 | 362 | 136 | 18x4 | 125-145 | 10 |
| 9P101  | 75      | 65  | 3145 | 362 | 136 | 18x4 | 125-145 | 10 |
| 9P102  | 90      | 80  | 3810 | 386 | 130 | 18x8 | 146-160 | 10 |
| 9P103  | 110     | 100 | 4070 | 406 | 152 | 18x8 | 178-190 | 10 |
| 9P105  | 125/140 | 125 | 4700 | 488 | 187 | 18x8 | 210-216 | 10 |
| 9P106  | 160     | 125 | 5530 | 510 | 214 | 22x8 | 235-241 | 10 |
| 9P107  | 200     | 200 | 7370 | 584 | 270 | 22x8 | 292-298 | 6  |



## Documentación de Producto



## Certificados de Producto

## Certificados de Empresa

