

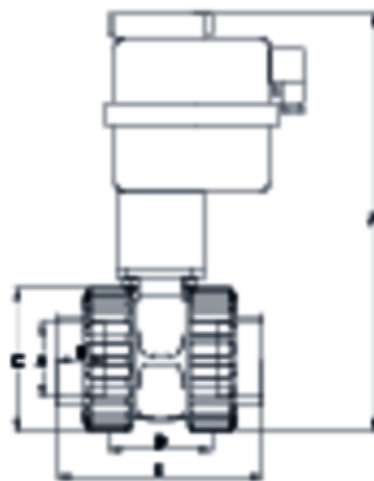


'Basic' ball valves

Solvent socket outlet - 240V electric actuator - PTFE ITEM 248



REFERENCE	DESCRIPTION	Net weight	Volumen (m ³)	Gross weight	Unidades lote
1011218	BALL VALVE ELEC. ACT. 160 ND150	23,66	0,16000	26,04	1
1011299	BALL V. W/220v.ELEC. ACTU,S. SOCK OUT. 20	1,2426	0,01553	1,5693	1
1011300	BALL V. W/220v.ELEC. ACTU,S. SOCK OUT. 25	1,4686	0,00891	1,656	1
1011301	BALL V. W/220v.ELEC. ACTU,S. SOCK OUT. 32	2,5383	0,02243	3,026	1
1011302	BALL V. 24-240v.ELEC. ACTU,S. SOCK OUT. 40	3,1123	0,02244	3,6	1
1011303	BALL V. 24-240v.ELEC. ACTU,S. SOCK OUT. 50	3,1133	0,02244	3,601	1
1011304	BALL V. W/24-220v.ELEC. ACTU, PLAIN 63	3,8273	0,03648	4,4213	1
1011305	BALL V. 24-240V. ELECTRIC ACTUATED, PLAIN 75	5,021	0,03648	5,615	1
1011306	BALL V. W/24-240v.ELEC. ACTU,S. SOCK OUT. 90	7,1601	0,04460	7,89	1
1011307	BALL V. W/220v.ELEC. ACTU,S/ SOCK O. 110	9,3301	0,04460	10,06	1
1011308	BALL V. W/220v.ELEC. ACTU,S. SOCK OUT. 125	12,249	0,04460	12,943	1
1011959	BALL V. W/220v.ELEC. ACTU,S. SOCK OUT. 140	14,56	0,04460	15,2258	1



ITEM 248 | Solvent socket outlet - 240V electric actuator - PTFE

CÓDIGO	A	PESO (g)	DN	Actuador	B	C	D	E	F	G	PN	MEDIDA
11299	20	1478	15	S20	16	52	47	84	268	177	PN16	MÉTRICO
11300	25	1516	20	S20	19	59	51	96	274	177	PN16	MÉTRICO
11301	32	1642	25	S20	23	70	66	117	285	177	PN16	MÉTRICO
11302	40	3112	32	S20	25	84	72	132	307	177	PN16	MÉTRICO
11303	50	3113	40	S20	31	99	77	149	325	177	PN16	MÉTRICO
11304	63	3827	50	S20	38	121	90	173	352	177	PN16	MÉTRICO
11305	75	5021	65	S35	45	151	121	215	426	177	PN10	MÉTRICO
11306	90	7160	80	S55	51	175	141	255	453	177	PN10	MÉTRICO
11307	110	9330	100	S55	61	210	155	267	477	177	PN10	MÉTRICO
11308	125	9100	113	S85	71	228	161	328	500	177	PN10	MÉTRICO



ITEM 248 | Solvent socket outlet - 240V electric actuator - PTFE

11959	140	14560	125	S85	76	278	195	405	538	177	PN10	MÉTRICO
11218	160	23660	150	S140	101	284	153	350	687	177	PN10	MÉTRICO



Product Documents



Product Certificates



Company Certificates

