



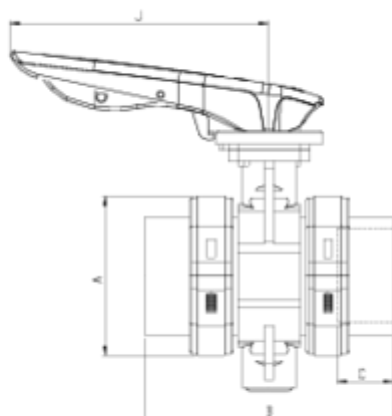
Netvitc System® butterfly valves

Solvent socket outlet 1

ITEM 171

REFERENCE	DESCRIPTION	Net weight	Volumen (m ³)	Gross weight	Unidades lote
109N020	BUTT. NET SYS V. W/ FLANGE,S SOCK. 63	2,163	0,03129	5,2738	2
109N021	BUTT. NET SYS V. W/ FLANGE,S SOCK. 75	2,116	0,03129	5,215	2
109N022	BUTT. NET SYS V. W/ FLANGE,S SOCK. 90	3,37625	0,04460	8,035	2
109N023	BUTT. NET SYS V. W/ FLANGE,S SOCK. 110	4,19625	0,04460	9,675	2
109N024	BUTT. NET SYS V. W/ FLANGE,S SOCK. 125	5,45065	0,06149	12,5	2
109N025	BUTT. NET SYS V. W/ FLANGE,S SOCK. 140	6,49315	0,06150	14,585	2
109N026	BUTT. NET SYS V. W/ FLANGE,S SOCK. 160	8,59085	0,04836	17,8896	2
109N027	BUTT. NET SYS V. W/ FLANGE,S SOCK. 200	13,3946	0,04879	14,155	1
109N028	BUTT. NET SYS V. W/ FLANGE,S SOCK. 225	14,106	0,06879	14,6997	1





ITEM 171 | Solvent socket outlet 1

CÓDIGO	f	BRIDA	Pesos	A	B	C	J	PN	MEDIDA
9N020	63	75	2532	138	218	42	235	PN10	MÉTRICO
9N021	75	75	2490	138	192	44	235	PN10	MÉTRICO
9N022	90	90	3336	164	219	52	235	PN10	MÉTRICO
9N023	110	110	4119	188	244	61	235	PN10	MÉTRICO
9N024	125	125	5093	203	282	70	270	PN10	MÉTRICO
9N025	140	140	6172	224	298	78	270	PN10	MÉTRICO
9N026	160	160	7911	251	315	86	270	PN10	MÉTRICO
9N027	200	200	10544	297	390	106	270	PN6	MÉTRICO
9N028	225	200	11564	297	476	120	270	PN6	MÉTRICO



Product Documents



Product Certificates

Company Certificates

