

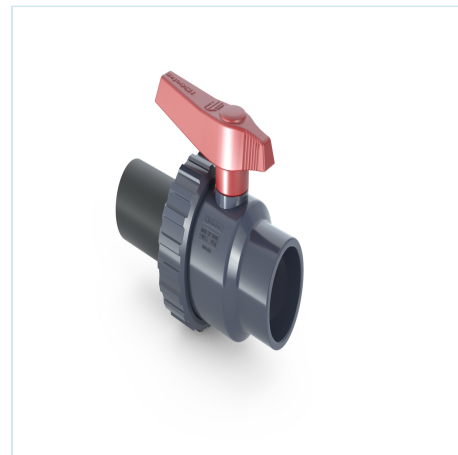


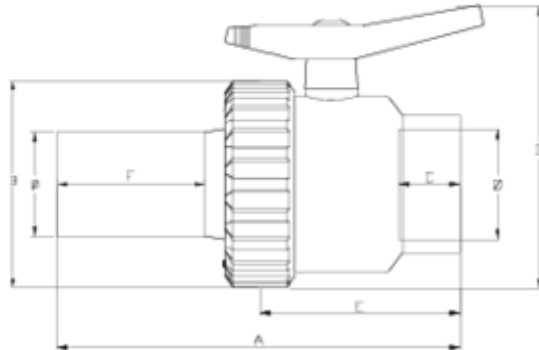
'Semi compact' ball valves

P.E. - solvent s. outlet

ITEM 728

REFERENCE	DESCRIPTION	Net weight	Volumen (m ³)	Gross weight	Unidades lote
111S035	SEMI-COMPACT BALL V. PLAIN-PE OUTLET 50	0,619	0,03129	9,285	15
111S036	SEMI-COMPACT BALL V. PLAIN-PE OUTLET 63	1,051	0,03682	10,51	10
111S037	SEMI-COMPACT BALL V. PLAIN-PE OUTLET 75	1,932	0,03129	7,728	4
111S038	SEMI-COMPACT BALL V. PLAIN-PE OUTLET 90	3,054	0,03129	6,108	2
111S039	SEMI-COMPACT BALL V. PLAIN-PE OUTLET 110	4,615	0,04460	9,23	2





ITEM 728 | P.E. - solvent s. outlet

CÓDIGO PE	f	DN	PESO (g)	A	B	C	D	E	F	PN	MEDIDA
11S035	50	40	732	214	99	31	138	109	79	PN10	MÉTRICO
11S036	63	50	1145	243	116	38	172	124	89	PN10	MÉTRICO
11S037	75	65	2520	287	150	45	215	165	91	PN10	MÉTRICO
11S038	90	80	3693	308	178	51	251	180	100	PN10	MÉTRICO
11S039	110	100	5705	346	210	61	307	206	102	PN10	MÉTRICO



Product Documents



Product Certificates

Company Certificates

