

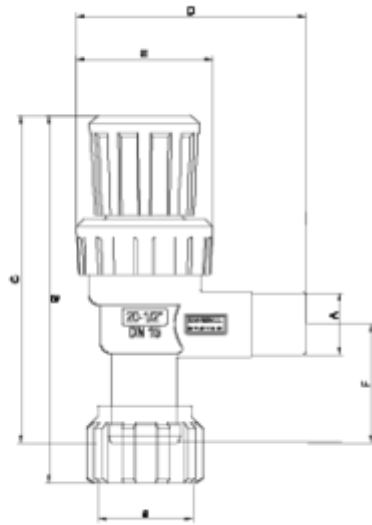


Angle seat valves and filters

Rotary control valve solvent socket outlet ITEM 968

REFERENCE	DESCRIPTION	Net weight	Volumen (m ³)	Gross weight	Unidades lote
1021151	FREE NUT REGULATOR VALVE,SOLV. SOCKET 20-3/4"	0,11875	0,00437	1,31	10





ITEM 968 | Rotary control valve solvent socket outlet

CÓDIGO	D(tubo) A-a	DN	Peso (g)	B	C	D	E	F	PN	TIPO ROSCA
21151	20-3/4"	15	136	118	105	73	43	38	PN16	BSP



Product Documents



Product Certificates

Company Certificates

