

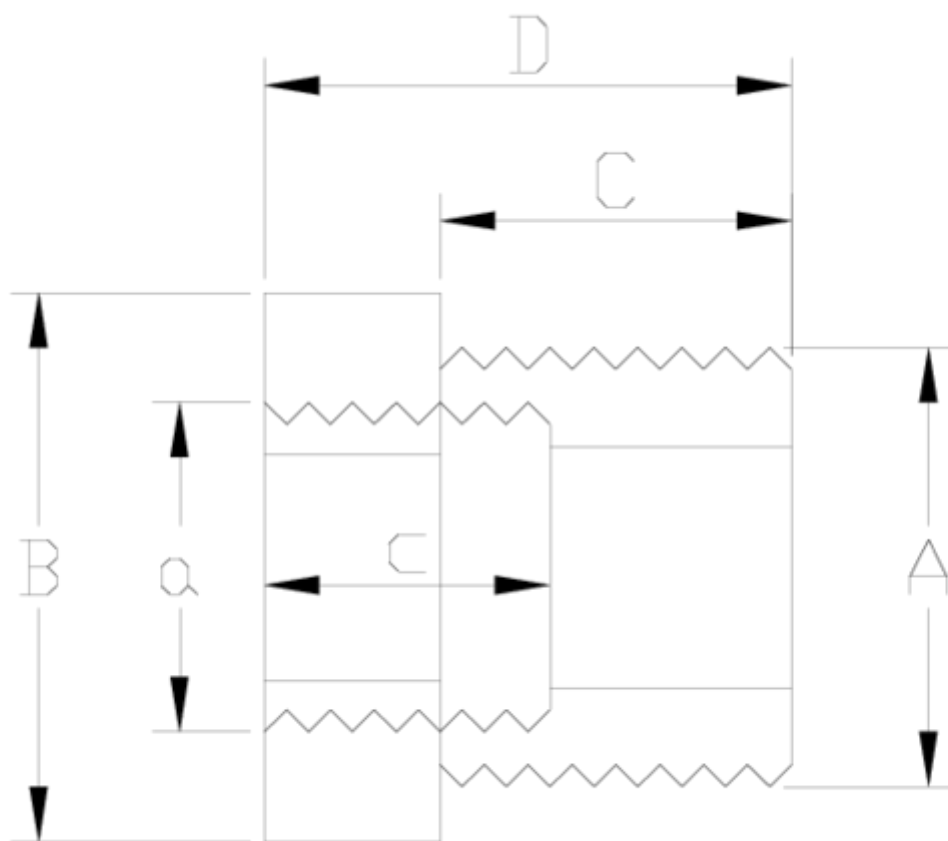


## PVC-U pressure fittings

# THREADED REDUCER MALE-FEMALE ITEM 807



REFERENCE	DESCRIPTION	Net weight	Volumen (m <sup>3</sup> )	Gross weight	Unidades lote
1002469	REDUCING MALE-FEMALE 1/2"-3/8"	0,007483	0,00472	1,015	120
1002470	REDUCING MALE-FEMALE 1/2"-1/4"	0,009	0,00473	1,1261	120
1002471	REDUCING MALE-FEMALE 1/2"-1/8"	0,0101	0,00473	1,332	120
1002472	REDUCING MALE-FEMALE 3/4"-1/2"	0,0219	0,00892	2,355	100
1002473	REDUCING MALE-FEMALE 1"-1/2"	0,032908	0,00892	2,82	80
1002474	REDUCING MALE-FEMALE 1"-3/4"	0,0343	0,00892	2,928	80
1002475	REDUCING MALE-FEMALE 1 1/4"-1"	0,05	0,01553	3,8267	70
1002476	REDUCING MALE-FEMALE 1 1/2"-1 1/4"	0,086	0,01553	5,49	60
1002477	REDUCING MALE-FEMALE 2"-1 1/4"	0,112788	0,02243	7,255	60
1002478	REDUCING MALE-FEMALE 2"-1 1/2"	0,119788	0,02243	7,67728	60
1002479	REDUCING MALE-FEMALE 2 1/2"-1 1/4"	0,150404	0,04717	7,41	45
1002480	REDUCING MALE-FEMALE 2 1/2"-2"	0,170404	0,03129	8,24	45
1002481	REDUCING MALE-FEMALE 3"-2 1/2"	0,258032	0,03129	7,089	25
1002484	REDUCING MALE-FEMALE 1 1/4"-3/4"	0,047	0,01553	3,67	70



## ITEM 807 | THREADED REDUCER MALE-FEMALE

Codigo	A-a	Peso (g)	B	C	c	D	PN	ROSCA
02471	1/2"-1/8"	9.2	24	15	12	25	PN10	BSP
02470	1/2"-1/4"	8.8	24	15	14	25	PN10	BSP
02469	1/2"-3/8"	8.2	24	15	14	25	PN10	BSP
02472	3/4"-1/2"	18	34	16	18	43	PN10	BSP
02473	1"-1/2"	32	44	19	21	46	PN10	BSP
02474	1"-3/4"	37	44	19	23	48	PN10	BSP
02484	1 1/4"-3/4"	53	50	21	19	48	PN10	BSP
02475	1 1/4"-1"	57	50	21	19	53	PN10	BSP
02476	1 1/2"-1 1/4"	83	60	22	31	58	PN10	BSP
02477	2"-1 1/4"	109	72	26	25	60	PN10	BSP



## ITEM 807 | THREADED REDUCER MALE-FEMALE

02478	2"-1 1/2"	114	72	26	25	60	PN10	BSP
02479	2 1/2"-1 1/4"	150	78	31	29	66	PN10	BSP
02480	2 1/2"-2"	165	78	31	31	70	PN10	BSP
02481	3"-2 1/2"	255	92	33	38	79	PN10	BSP
#VALUE!								



## Product Documents



## Product Certificates



## Company Certificates

