



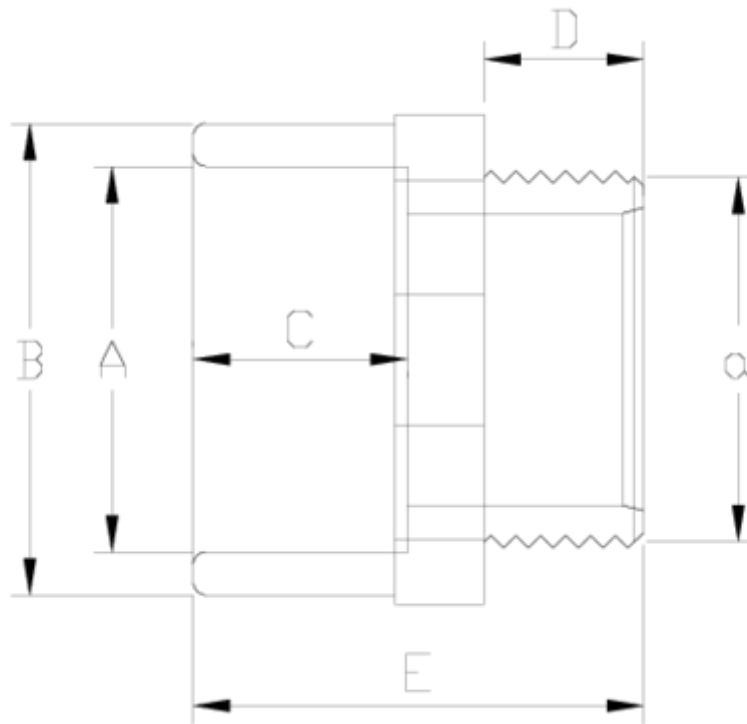
PVC-U pressure fittings

Male threaded adaptor bush

ITEM 019

REFERENCE	DESCRIPTION	Net weight	Volumen (m ³)	Gross weight	Unidades lote
1002000	PVC ADAPTOR BUSHES, M. THREAD 16-3/8"	0,007	0,00473	1,165	150
1002001	PVC ADAPTOR BUSHES, M. THREAD 20-1/2"	0,015226	0,00472	1,6397	100
1002002	PVC ADAPTOR BUSHES, M. THREAD 25-3/4"	0,026146	0,00892	2,802	100
1002003	PVC ADAPTOR BUSHES, M. THREAD 32-1"	0,037408	0,00891	3,18	80
1002004	PVC ADAPTOR BUSHES, M. THREAD 40-1 1/4"	0,064833	0,01553	4,865	70
1002005	PVC ADAPTOR BUSHES, M. THREAD 50-1 1/2"	0,111105	0,02244	7,154	60
1002006	PVC ADAPTOR BUSHES, M. THREAD 63-2"	0,158391	0,04717	14,897	90
1002007	PVC ADAPTOR BUSHES, M. THREAD 75-2 1/2"	0,272338	0,04717	12,897	45
1002008	PVC ADAPTOR BUSHES, M. THREAD 90-3"	0,413232	0,03682	10,88	25
1002009	PVC ADAPTOR BUSHES, M. THREAD 110-4"	0,5609	0,04117	9,615	16
1002950	ADAPTOR BUSHES "L" 63-2"	0,1731	0,04717	9,299	50
1002951	ADAPTOR BUSHES "L" 75-2 1/2"	0,294738	0,04717	13,905	45





ITEM 019 | Male threaded adaptor bush

Codigo	A-a	Peso (g)	B	C	D	E	PN	ROSCA
02000	16-3/8"	10	22	14	11	32	PN10	BSP
02001	20-1/2"	15	27	16	14	38	PN10	BSP
02002	25-3/4"	24	33	19	16	51	PN10	BSP
02003	32-1"	41	41	22	19	52	PN10	BSP
02004	40-1 1/4"	46	50	26	21	56	PN10	BSP
02005	50-1 1/2"	107	63	31	22	67	PN10	BSP
02006	63-2"	137	76	38	26	73	PN10	BSP
02950	63-2" L	141	76	38	38	85	PN10	BSP
02007	75-2 1/2"	212	90	44	30	87	PN10	BSP
02951	75-2 1/2" L	219	90	44	42	99	PN10	BSP



ITEM 019 | Male threaded adaptor bush

02008	90-3"	332	108	51	33	96	PN10	BSP
02009	110-4"	549	131	61	38	127	PN10	BSP



Product Documents



Product Certificates



Company Certificates

