



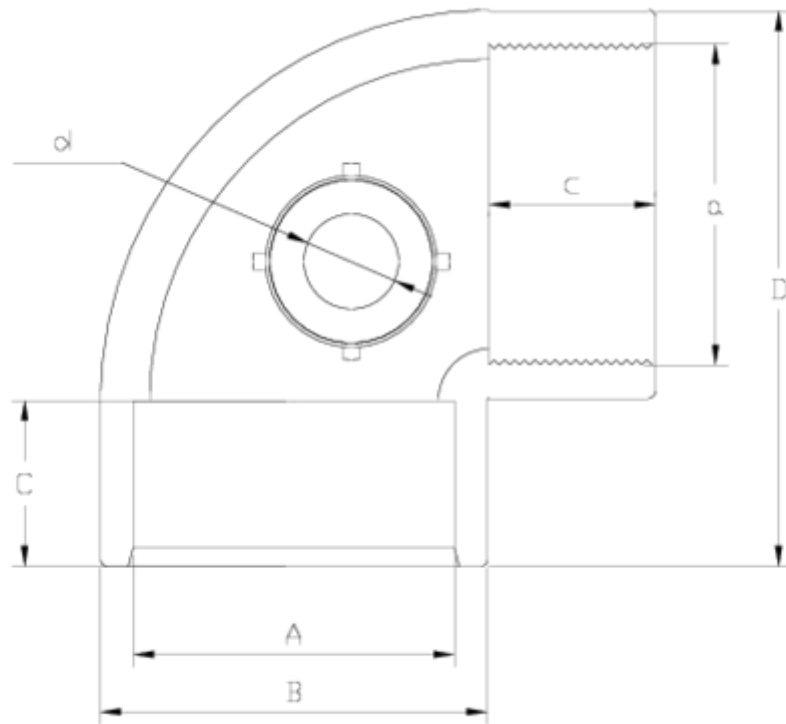
## PVC-U pressure fittings

# Codo 90° enc-RH air-L RH

## ITEM 759

REFERENCE	DESCRIPTION	Net weight	Volumen (m <sup>3</sup> )	Gross weight	Unidades lote
1002280	"AIR L" 90° ELBOW PLAIN/F. THREADED 50-1/2"	0,189077	0,02244	6,16	30
1002281	"AIR L" 90° ELBOW PLAIN/F. THREADED 50-3/4"	0,183743	0,02244	6	30
1002283	"AIR L" 90° ELBOW PLAIN/F. THREADED 63-1/2"	0,330192	0,03129	9,158	26
1002284	"AIR L" 90° ELBOW PLAIN/F. THREADED 63-3/4"	0,235	0,03129	6,6069	26





## ITEM 759 | Codo 90° enc-RH air-L RH

Código	A-a	d	Peso (g)	B	C	c	D	PN	ROSCA
02280	50-1 1/2"	1/2"	148	61	31	24	88	PN10	BSP
02281	50-1 1/2"	3/4"	148	61	31	24	88	PN10	BSP
02283	63-2"	1/2"	235	76	38	28	109	PN10	BSP
02284	63-2"	3/4"	235	76	38	28	109	PN10	BSP



## Product Documents



## Product Certificates



## Company Certificates

