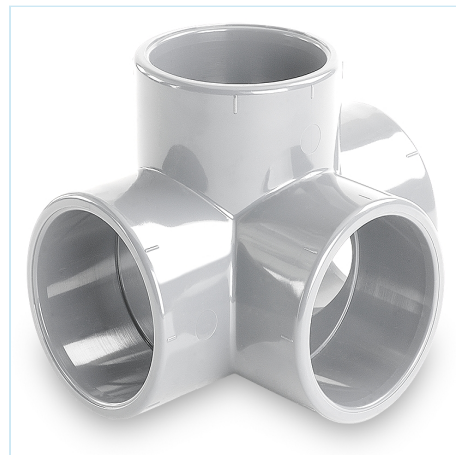


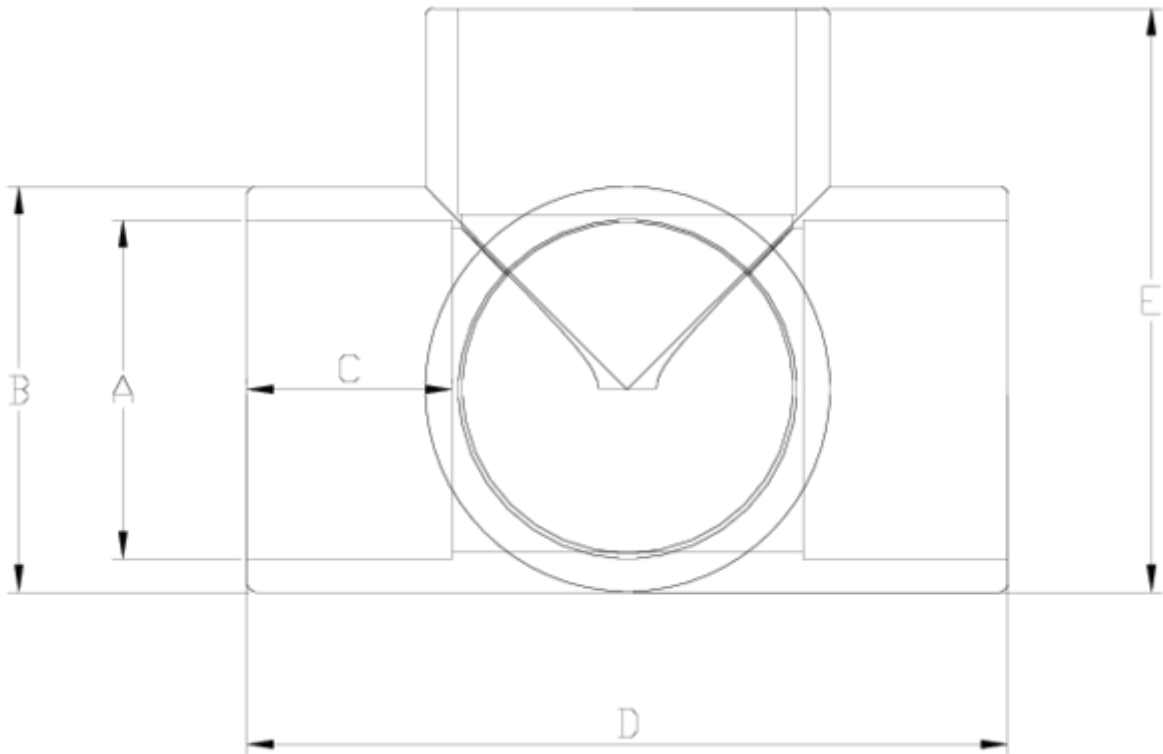


PVC-U pressure fittings

90° TEE SOLVENT SOCKET 4V - WHITE RANGE ITEM 842

| REFERENCE | DESCRIPTION | Net weight | Volumen (m ³) | Gross weight | Unidades lote |
|-----------|-------------------------|------------|---------------------------|--------------|---------------|
| 1001358 | PVC 90° 4V TEE 50 WHITE | 0,223773 | 0,04717 | 7,355 | 30 |
| 1001359 | PVC 90° 4V TEE 63 WHITE | 0,385655 | 0,06347 | 8,5 | 20 |





ITEM 842 | 90° TEE SOLVENT SOCKET 4V - WHITE RANGE

| Código | A | Peso (g) | B | C | D | E | PN | MEDIDA |
|--------|----|----------|----|----|-----|-----|------|---------|
| 01358 | 50 | 212 | 61 | 31 | 114 | 88 | PN16 | MÉTRICO |
| 01359 | 63 | 336 | 76 | 38 | 141 | 109 | PN16 | MÉTRICO |



Product Documents



Product Certificates



Company Certificates

