

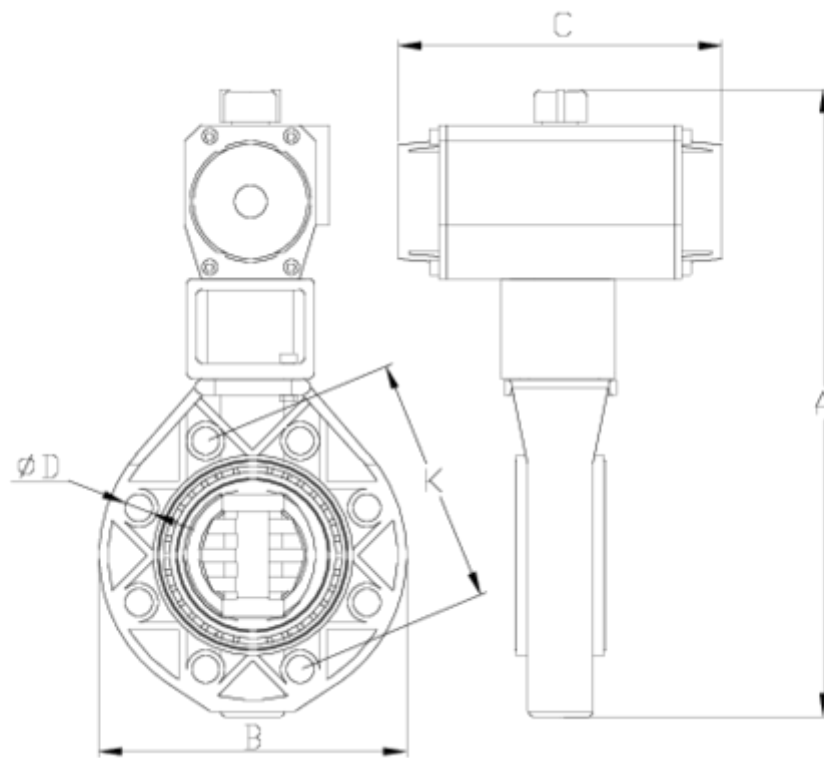


PVC-U pressure fittings

45° PVC ELBOW FEMALE- MALE THREAD WITH O-RING ITEM 200



REFERENCE	DESCRIPTION	Net weight	Volumen (m ³)	Gross weight	Unidades lote
1002152	ELBOW 45° PLAIN/MALE TH. 32-1" W/O-Ring	0,0422	0,01553	4,4804	100
1002153	ELBOW 45° PLAIN/MALE TH. 40-1 1/4" W/O-Ring	0,0764	0,02244	5,07	60
1002154	ELBOW 45° PLAIN/MALE TH. 50-1 1/2" W/O-Ring	0,1232	0,02244	4,184	30
1002155	ELBOW 45° PLAIN/MALE TH. 63-2" W/O-Ring	0,1975	0,03129	6,4219	30
1002156	ELBOW 45° PLAIN/MALE TH. 75-2 1/2" C/J	0,34494	0,04717	10,99	30



ITEM 200 | 45° PVC ELBOW FEMALE-MALE THREAD WITH O-RING

CÓDIGO	A x a	PESO (g)	C	D	E	F	PN	MEDIDA
02152	32x1"	52	54	19	19	57	PN10	BSP
02153	40x1 1/4"	81	62	22	21	85	PN10	BSP
02154	50x1 1/2"	124	85	26	22	94	PN10	BSP
02155	63x2"	226	102	31	26	109	PN10	BSP
02156	75x2 1/2"	330	1311	45	29	115	PN10	BSP



Product Documents



Product Certificates



Company Certificates

