



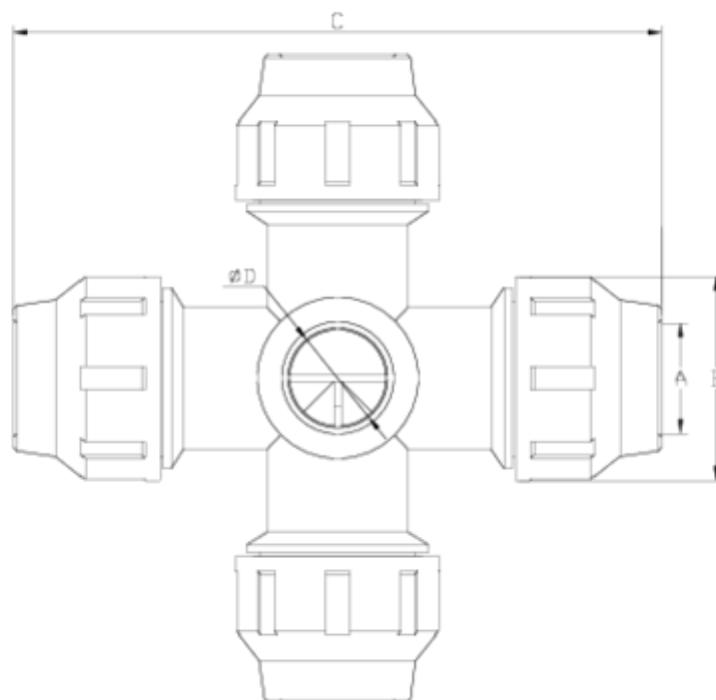
PP fittings for polyethylene

"AIR" 90° cross

ITEM 548

REFERENCE	DESCRIPTION	Net weight	Volumen (m ³)	Gross weight	Unidades lote
1012260	"AIR" 90° CROSS EQUAL OUTLETS 20-1/2"	0,162	0,02243	3,4	15
1012261	"AIR" 90° CROSS EQUAL OUTLETS 20-3/4"	0,165	0,02244	3,015	15
1012262	"AIR" 90° CROSS EQUAL OUTLETS 25-1/2"	0,295	0,03129	4,998	15
1012263	"AIR" 90° CROSS EQUAL OUTLETS 25-3/4"	0,294	0,03129	4,98	15
1012264	"AIR" 90° CROSS EQUAL OUTLETS 32-1/2"	0,429	0,03648	7,029	15
1012265	"AIR" 90° CROSS EQUAL OUTLETS 32-3/4"	0,424067	0,03648	6,955	15





ITEM 548 | "AIR" 90° cross

Código	f tubo - D	Peso (g)	A	B	C	PN	MEDIDA
12260	20 - 1/2"	162	21	46	167	PN16	BSP
12261	20 - 3/4"	165	21	46	167	PN16	BSP
12262	25 - 1/2"	266	26	55	182	PN16	BSP
12263	25 - 3/4"	269	26	55	182	PN16	BSP
12264	32 - 1/2"	388	33	64	198	PN16	BSP
12265	32 - 3/4"	392	33	64	198	PN16	BSP



Product Documents



Product Certificates



Company Certificates

