

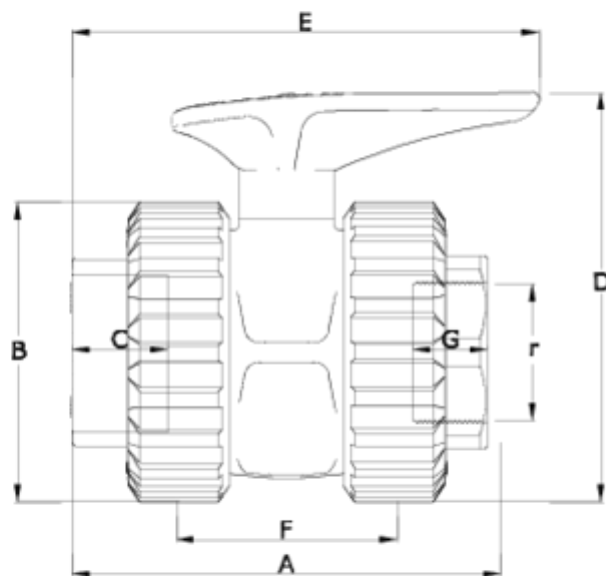


'Basic' ball valves

Plain/Threaded outlet - PE - Basic System ITEM 209



REFERENCE	DESCRIPTION	Net weight	Volumen (m ³)	Gross weight	Unidades lote
1011083	BALL VALVE SOLV. S./FEM. THR. 20-1/2"	0,160583	0,01553	6,75	40
1011084	BALL VALVE SOLV. S./FEM. THR. 25-3/4"	0,203183	0,02244	8,615	40
1011085	BALL VALVE SOLV. S./FEM. THR. 32-1"	0,350733	0,03129	11,095	30
1011086	BALL VALVE SOLV. S./FEM. THR. 40-1 1/4"	0,6041	0,03129	12,655	20
1011087	BALL VALVE SOLV. S./FEM. THR. 50-1 1/2"	0,8658	0,03129	13,56	15
1011088	BALL VALVE SOLV. S./FEM. THR. 63-2"	1,35108	0,03682	14,06	10
1011089	BALL VALVE SOLV. S./FEM. THR. 75-2 1/2"	2,7587	0,03129	11,608	4
1011090	BALL VALVE SOLV. S./FEM. THR. 90-3"	4,40365	0,02244	9,295	2
1011697	BALL VALVE SOLV. S./FEM. THR. 110-4"	6,24	0,04460	13,32	2



ITEM 209 | Plain/Threaded outlet - PE - Basic System

CÓDIGO	f-r	DN	PESO (g)	A	B	C	D	E	F	G	PN	TIPO ROSCA
11083	20-1/2"	15	160	89	52	16	78	92	47	17	PN16	BSP
11084	25-3/4"	20	203	99	59	19	84	92	51	20	PN16	BSP
11085	32-1"	25	350	119	70	23	97	138	66	23	PN16	BSP
11086	40-1 1/4"	32	604	133	84	25	128	160	72	26	PN16	BSP
11087	50-1 1/2"	40	865	151	99	31	142	169	77	33	PN16	BSP
11088	63-2"	50	1351	167	121	38	165	188	90	29	PN16	BSP
11089	75-2 1/2"	65	2649	210	151	45	222	281	121	33	PN10	BSP
11090	90-3"	80	4403	245	175	51	244	301	141	36	PN10	BSP
11697	110-4"	100	6240	288	210	61	307	426	155	42	PN10	BSP



Product Documents



Product Certificates

Company Certificates

