

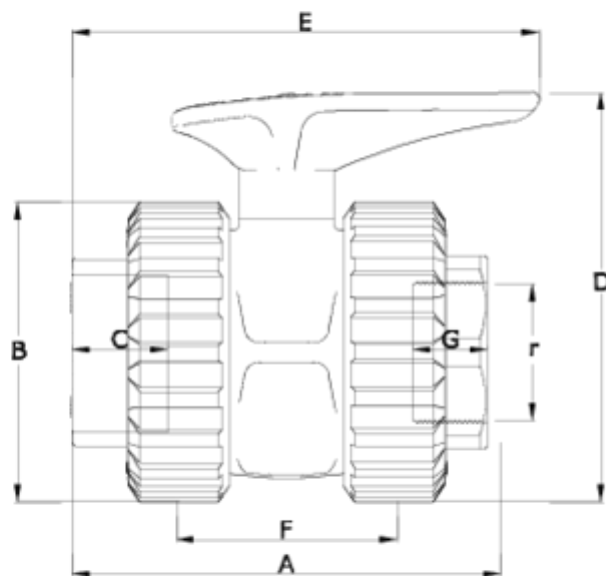


'Basic' ball valves

Plain/threaded outlet - FPM - Basic System ITEM 222



REFERENCE	DESCRIPTION	Net weight	Volumen (m ³)	Gross weight	Unidades lote
1011277	FPM BALL V, SOLV. S/FEM T.O. 110-4"	5,99	0,04460	12,82	2
1011483	FPM BALL V, SOLV. S/FEM T.O. 20-1/2"	0,1654	0,01553	6,9427	40
1011484	FPM BALL V, SOLV. S/FEM T.O. 25-3/4"	0,2012	0,02244	8,659	40
1011485	FPM BALL V, SOLV. S/FEM T.O. 32-1"	0,370333	0,03129	11,683	30
1011486	FPM BALL V, SOLV. S/FEM T.O. 20-1 1/4"	0,61885	0,03129	12,95	20
1011487	FPM BALL V, SOLV. S/FEM T.O. 50-1 1/2"	0,8367	0,03129	13,145	15
1011488	FPM BALL V, SOLV. S/FEM T.O. 63-2"	1,4171	0,03682	14,72	10
1011489	FPM BALL V, SOLV. S/FEM T.O. 75-2 1/2"	2,699	0,03129	11,41	4
1011490	FPM BALL VALVE SOLVENT S.-FEMALE T.O. 90-3"	4,339	0,02244	9,29	2



ITEM 222 | Plain/threaded outlet - FPM - Basic System

CÓDIGO	f-r	DN	PESO (g)	A	B	C	D	E	F	G	PN	TIPO ROSCA
11483	20-1/2"	15	152	89	52	16	78	92	47	17	PN16	BSP
11484	25-3/4"	20	201	99	59	19	84	92	51	20	PN16	BSP
11485	32-1"	25	345	119	70	23	97	138	66	23	PN16	BSP
11486	40-1 1/4"	32	583	133	84	25	128	160	72	26	PN16	BSP
11487	50-1 1/2"	40	936	151	99	31	142	169	77	33	PN16	BSP
11488	63-2"	50	1348	167	121	38	165	188	90	29	PN16	BSP
11489	75-2 1/2"	65	2699	210	151	45	222	281	121	33	PN10	BSP
11490	90-3"	80	4339	245	175	51	244	301	141	36	PN10	BSP
11277	110-4"	100	5990	288	210	61	307	426	155	42	PN10	BSP



Product Documents



Product Certificates

Company Certificates

