



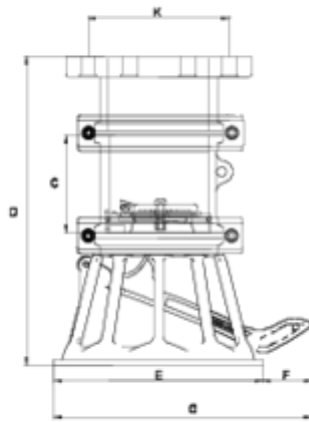
Netwell® foot valves

Foot valve, flange outlet

ITEM 603

REFERENCE	DESCRIPTION	Net weight	Volumen (m ³)	Gross weight	Unidades lote
1014249	FOOT VALVE WITH FLANGE OUTLET 125	4,187	0,03129	4,76	1
1014250	FOOT VALVE WITH FLANGE OUTLET 125 (K=210)	4,242	0,03129	4,815	1
1014252	ASPIR. FOOT VALVE, FLANGE OUTLET 160	6,827	0,03129	7,4	1





ITEM 603 | Foot valve, flange outlet

CÓDIGO	Ø TUBO	PESOS	BRIDA	DN CUERPO	C	D	E	F	G	K	PN	MEDIDA
14249	125	4344	125	110	122	377	259	53	311	190	PN10	MÉTRICO
14250	125-140	4650	125	110	122	377	259	53	311	210-216	PN10	MÉTRICO
14252	160	6858	160	150	137	387	280	74	354	235-241	PN10	MÉTRICO



Product Documents



Product Certificates

Company Certificates

