



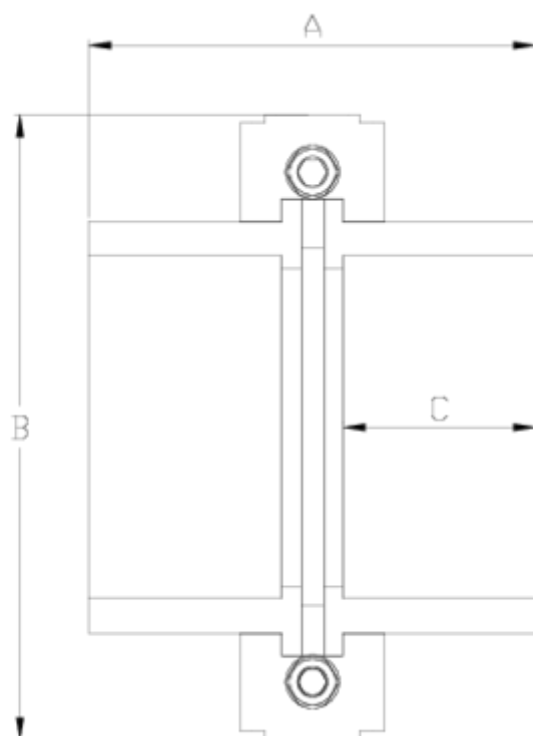
Netvitc System pressure fittings

Union, plain socket - plain socket

ITEM 11N



REFERENCE	DESCRIPTION	Net weight	Volumen (m ³)	Gross weight	Unidades lote
1010327	NET. SYST. UNION, S. SOCKET OUT. 90	0,883325	0,01553	3,86	4
1010328	NET. SYST. UNION, S. SOCKET OUT. 110	1,325575	0,02244	5,79	4
1010329	NET. SYST. UNION, S. SOCKET OUT. 125	1,6887	0,02244	3,865	2
1010330	NET. SYST. UNION, S. SOCKET OUT. 140	2,21615	0,02244	4,92	2
1010331	NET. SYST. UNION, S. SOCKET OUT. 160	3,1985	0,03129	6,97	2
1010332	NET. SYST. UNION, S. SOCKET OUT. 200	4,90755	0,04460	10,545	2
1010371	NET. SYST. UNION, S. SOCKET OUT. 40	0,346663	0,01553	3,1	8
1010372	NET. SYST. UNION, S. SOCKET OUT. 50	0,4	0,01553	3,565	8
1010373	NET. SYST. UNION, S. SOCKET OUT. 63	0,361038	0,01553	3,215	8
1010374	NET. SYST. UNION, S. SOCKET OUT. 75	0,4567	0,01553	3,98	8
1010375	NET. SYST. UNION, S. SOCKET OUT. 225	7,88725	0,06150	16,695	2



ITEM 11N | Union, plain socket - plain socket

CÓDIGO	f	PESO	BRIDA	A	B	C	PN	MEDIDA
10371	40	347	63	105	125	28	PN10	MÉTRICO
10372	50	405	63	107	125	31	PN10	MÉTRICO
10373	63	361	63	81	125	36	PN10	MÉTRICO
10374	75	457	75	95	138	44	PN10	MÉTRICO
10327	90	883	90	114	164	52	PN10	MÉTRICO
10328	110	1326	110	140	188	61	PN10	MÉTRICO
10329	125	1689	125	164	203	69	PN10	MÉTRICO
10330	140	2216	140	180	224	77	PN10	MÉTRICO
10331	160	3199	160	195	251	86	PN10	MÉTRICO
10332	200	4908	200	244	297	107	PN10	MÉTRICO



ITEM 11N | Union, plain socket - plain socket

10375

225

5647

200

330

297

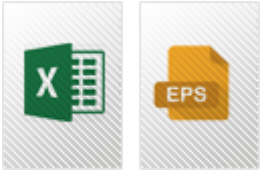
120

PN10

MÉTRICO



Product Documents



Product Certificates

Company Certificates

