

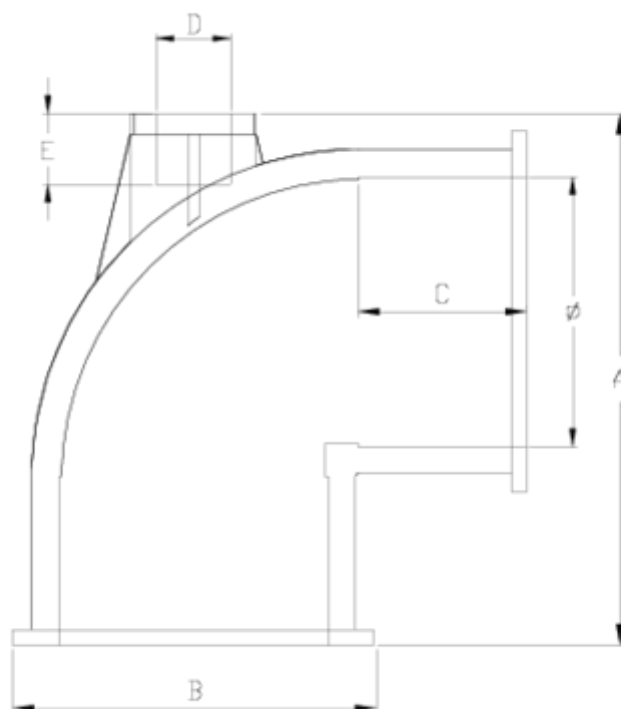


## Netvitc System pressure fittings

# "AIR" PVC Netvitc 90° elbow, F/T outlet ITEM 24N



REFERENCE	DESCRIPTION	Net weight	Volumen (m <sup>3</sup> )	Gross weight	Unidades lote
101N115	"AIR" NET SYS 90° ELBOW 63-1/2"	0,367	0,02243	4,1577	10
101N117	"AIR" NET SYS 90° ELBOW 90-3/4"	0,81415	0,03129	7,0862	8
101N119	"AIR" NET SYS 90° ELBOW 110-1"	1,325	0,04717	11,2418	8
101N121	"AIR" NET SYS 90° ELBOW 125-2"	1,8	0,06150	11,78	6
101N123	"AIR" NETVITC SYSTEM 90° ELBOW 160	3,13975	0,03682	6,8287	2
101N124	"AIR" NETVITC SYSTEM 90° ELBOW 200	5,36995	0,04836	11,405	2



## ITEM 24N | "AIR" PVC Netvitc 90° elbow, F/T outlet

CÓDIGO	f	PESO	BRIDA	A	B	C	D	E	PN	MEDIDA
1N115	63	345	63	128	92	43	1/2"	17	PN10	MÉTRICO
1N117	90	814	90	174	121	50	3/4"	21	PN10	MÉTRICO
1N119	110	1325	110	204	144	61	1"	31	PN10	MÉTRICO
1N121	125	1775	125	245	159	70	2"	36	PN10	MÉTRICO
1N123	160	3140	160	299	201	87	2"	36	PN10	MÉTRICO
1N124	200	5370	200	347	251	106	2"	36	PN10	MÉTRICO



## Product Documents



## Product Certificates

## Company Certificates

