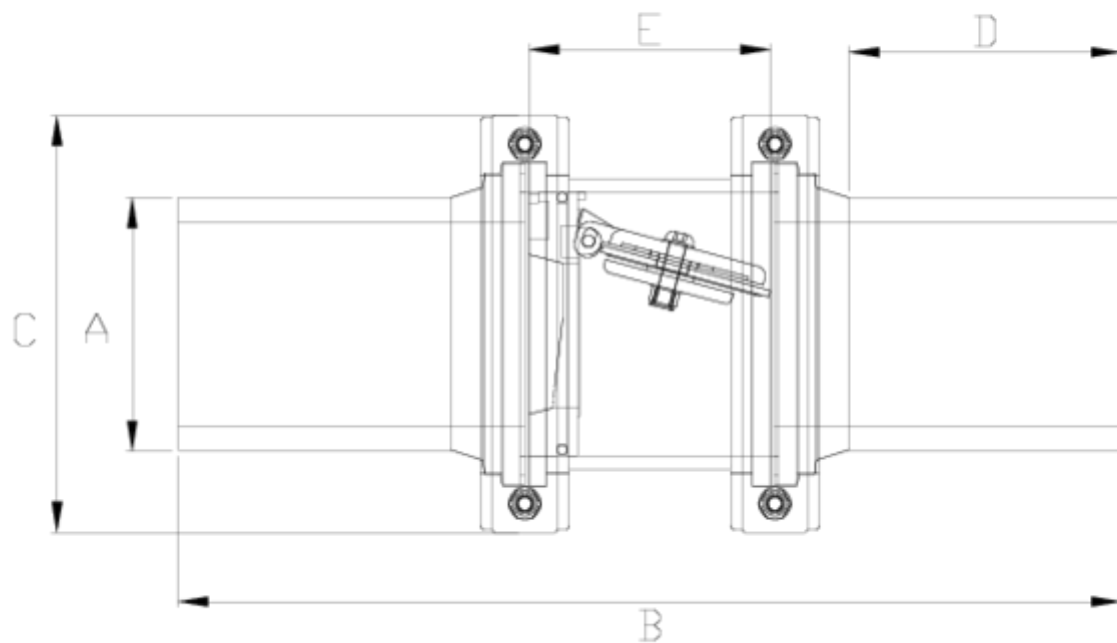




Netvitc System® lineal check valve PE-PE outlet - Sight glass body ITEM 303

REFERENCE	DESCRIPTION	Net weight	Volumen (m ³)	Gross weight	Unidades lote
1015352	CENTER BODY FLUIDS DISPLAY, THERMO 50	0,95	0,01553	2,23	2
1015353	CENTER BODY FLUIDS DISPLAY, THERMO 63	0,98265	0,01553	2,292	2
1015355	CENTER BODY FLUIDS DISPLAY, THERMO 90	3,441	0,03100	3,801	1
1015356	CENTER BODY FLUIDS DISPLAY, THERMO 110	3,5889	0,02243	4,0766	1
1015357	CENTER BODY FLUIDS DISPLAY, THERMO 125	5,99	0,03100	6,29	1
1015358	CENTER BODY FLUIDS DISPLAY, THERMO 140	6,732	0,02457	7,026	1
1015362	CENTER BODY FLUIDS DISPLAY, THERMO 160	7,0151	0,04460	7,745	1
1015363	CENTER BODY FLUIDS DISPLAY, THERMO 200	9,075	0,06149	9,9955	1
1015364	CENTER BODY FLUIDS DISPLAY, THERMO 225	10,135	0,06149	0	1





ITEM 303 | PE-PE outlet - Sight glass body

CÓDIGO	A	PESOS	BRIDA	DN CUERPO	B	C	D	E	PN	MEDIDA
15352	50	940	63	50	318	125	56	70	PN10	MÉTRICO
15353	63	935	63	50	308	125	89	70	PN10	MÉTRICO
15355	90	3185	125	110	402	203	100	122	PN10	MÉTRICO
15356	110	3300	125	110	404	203	101	122	PN10	MÉTRICO
15357	125	3775	125	110	466	203	135	122	PN10	MÉTRICO
15358	140	6655	160	150	517	251	98	137	PN10	MÉTRICO
15362	160	6625	160	150	483	251	122	137	PN10	MÉTRICO
15363	200	11855	200	200	620	297	132	210	PN10	MÉTRICO
15364	225	10375	200	200	622	297	143	210	PN10	MÉTRICO



Product Documents



Product Certificates

Company Certificates

