



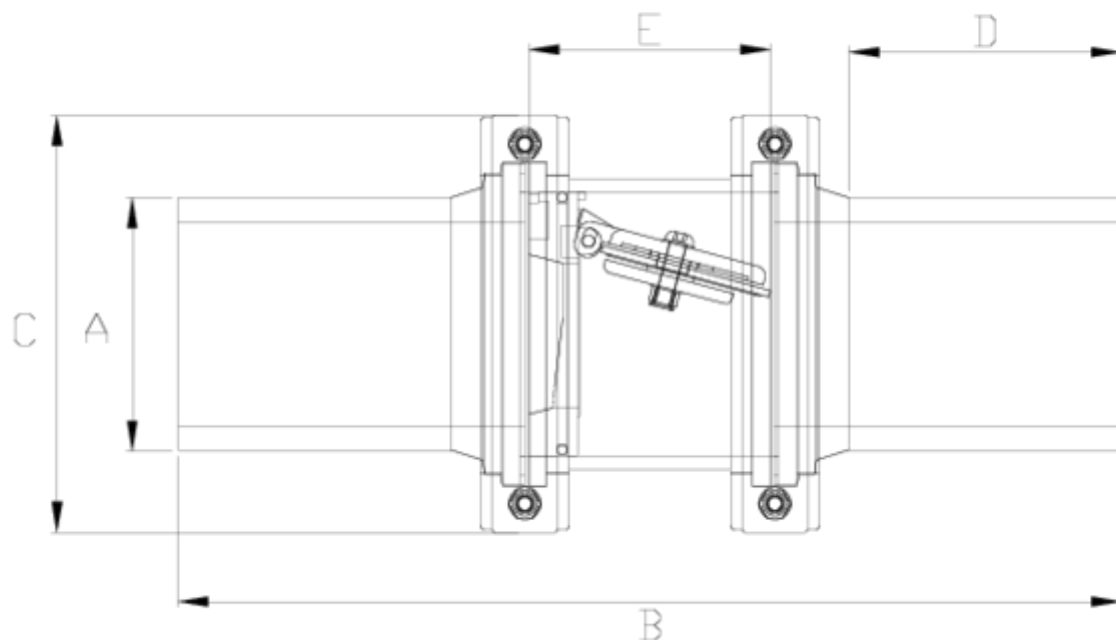
Netvitc System® lineal check valve

PE-PE outlet - GFPP body

ITEM 299

REFERENCE	DESCRIPTION	Net weight	Volumen (m ³)	Gross weight	Unidades lote
1015052	NETV. SYST. LINEAL CHECK V,THERMO OUT 50	0,8997	0,01553	2,126	2
1015053	NETV. SYST. LINEAL CHECK V,THERMO OUT. 63	0,9264	0,01553	2,1795	2
1015055	NETV. SYST. LINEAL CHECK V,THERMO OUT. 90	3,9851	0,03100	4,342	1
1015056	NETV. SYST. LINEAL CHECK V,THERMO OUT. 110	3,19	0,02243	4,213	1
1015057	NETV. SYST. LINEAL CHECK V,THERMO OUT. 125	5,712	0,03100	6,012	1
1015058	NETV. SYST. LINEAL CHECK V,THERMO OUT. 140	6,454	0,02457	6,748	1
1015062	NETV. SYST. LINEAL CHECK V,THERMO OUT. 160	6,823	0,04460	7,523	1
1015063	NETV. SYST. LINEAL CHECK V,THERMO OUT. 200	8,845	0,04836	0	1
1015064	NETV. SYST. LINEAL CHECK V,THERMO OUT. 225	9,905	0,06149	0	1





ITEM 299 | PE-PE outlet - GFPP body

CÓDIGO	f	PESOS	BRIDA	DN CUERPO	B	C	D	E	PN	MEDIDA
15052	50	940	63	50	318	125	56	70	PN10	MÉTRICO
15053	63	935	63	50	308	125	89	70	PN10	MÉTRICO
15055	90	3185	125	110	402	203	100	122	PN10	MÉTRICO
15056	110	3300	125	110	404	203	101	122	PN10	MÉTRICO
15057	125	3775	125	110	466	203	135	122	PN10	MÉTRICO
15058	140	6655	160	150	517	251	98	137	PN10	MÉTRICO
15062	160	6625	160	150	483	251	122	137	PN10	MÉTRICO
15063	200	11245	200	200	620	297	132	210	PN10	MÉTRICO
15064	225	9765	200	200	622	297	143	210	PN10	MÉTRICO



Product Documents



Product Certificates

Company Certificates

