



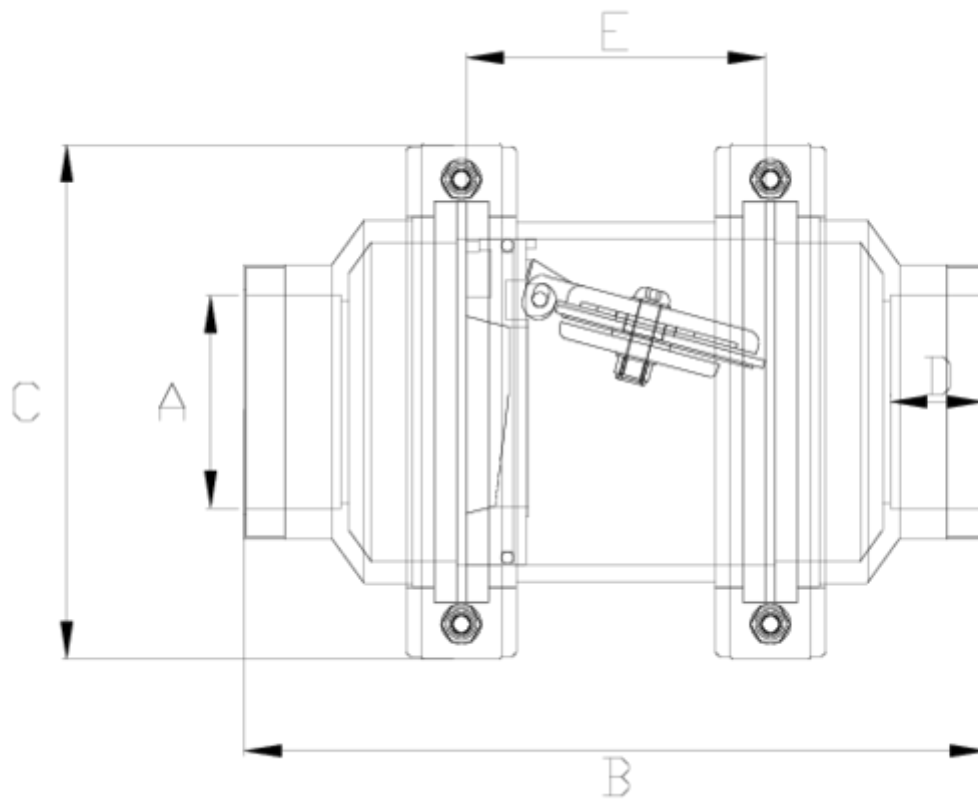
## Netvitc System® lineal check valve

# Female threaded outlet - Sight glass body

## ITEM 302



REFERENCE	DESCRIPTION	Net weight	Volumen (m <sup>3</sup> )	Gross weight	Unidades lote
1015359	CENTER BODY FLUIDS DISPLAY,F.THR. 2 1/2"	3,3351	0,01783	3,59	1
1015360	CENTER BODY FLUIDS DISPLAY,F.THR. 3"	3,201	0,01783	3,451	1
1015361	CENTER BODY FLUIDS DISPLAY,F.THR. 4"	3,185	0,02457	3,869	1
1015367	CENTER BODY FLUIDS DISPLAY,F.THR. DN65 2"	0,8626	0,00473	1,05	1
1015369	CENTER BODY FLUIDS DISPLAY,F.THR. DN125 2"	3,098	0,01783	3,3927	1



## ITEM 302 | Female threaded outlet - Sight glass body

CÓDIGO	f	PESOS	BRIDA	DN CUERPO	B	C	D	E	PN	TIPO ROSCA
15367	2"	827	63	50	178	125	38	70	PN10	BSP
15369	2"	3130	125	110	294	203	38	122	PN10	BSP
15359	2 1/2"	3050	125	110	294	203	30	122	PN10	BSP
15360	3"	2990	125	110	294	203	34	122	PN10	BSP
15361	4"	3185	125	110	294	203	44	122	PN10	BSP



## Product Documents



## Product Certificates

## Company Certificates

