



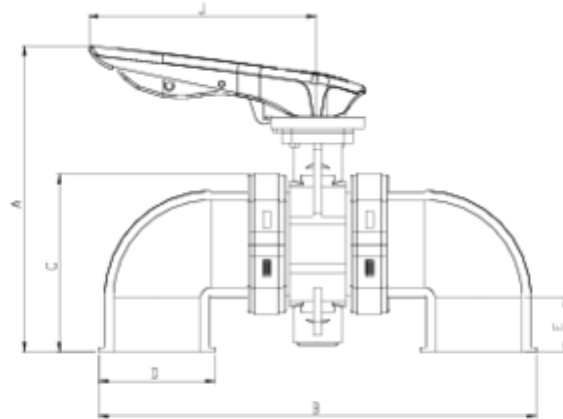
Netvitc System® butterfly valves

Netvitc System valve, solvent socket outlet, elbow connection

ITEM 622



REFERENCE	DESCRIPTION	Net weight	Volumen (m ³)	Gross weight	Unidades lote
109N102	NET.SYS. VALVE ELBOW PLAIN OUTLET 90	4,482	0,04460	9,794	2
109N103	NET.SYS. VALVE ELBOW PLAIN OUTLET 110	5,839	0,04460	12,508	2
109N104	NET.SYS. VALVE ELBOW PLAIN OUTLET 125	7,157	0,04460	15,144	2
109N105	NET.SYS. VALVE ELBOW PLAIN OUTLET 140	9,947	0,06149	10,867	1
109N106	NET.SYS. VALVE ELBOW PLAIN OUTLET 160	11,737	0,06150	12,031	1
109N107	NET.SYS. VALVE ELBOW PLAIN OUTLET 200	16,334	0,04836	17,184	1



ITEM 622 | Netvitc System valve, solvent socket outlet, elbow connection

PESO	CÓDIGO	f	BRIDA	A	B	C	D	E	J	PN	MEDIDA
4482	9N102	90	90	288	433	164	121	51	230	PN10	MÉTRICO
5839	9N103	110	110	308	505	188	144	61	230	PN10	MÉTRICO
7157	9N104	125	125	344	540	203	159	69	270	PN10	MÉTRICO
11737	9N106	160	160	386	683	251	201	86	270	PN10	MÉTRICO
16344	9N107	200	200	460	816	297	251	106	270	PN6	MÉTRICO



Product Documents



Product Certificates

Company Certificates

