



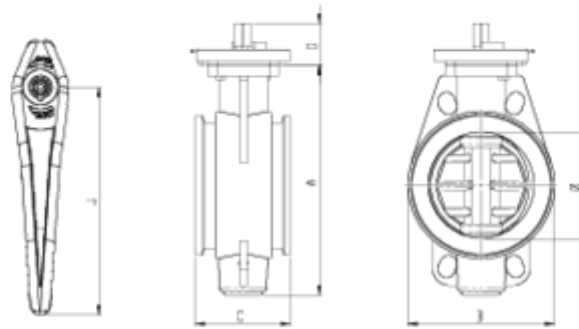
Netvitc System® butterfly valves

Netvitc System valve

ITEM 169

REFERENCE	DESCRIPTION	Net weight	Volumen (m ³)	Gross weight	Unidades lote
109N001	BUTTERFLY NETV.SYST. VALVE 63/75	1,525575	0,02244	6,59	4
109N002	BUTTERFLY NETV. SYST. VALVE 90	2,27675	0,03129	9,68	4
109N003	BUTTERFLY NETV. SYST. VALVE 110	2,634	0,03129	11,11	4
109N004	BUTTERFLY NETV. SYST. VALVE 125	3,24425	0,03129	13,55	4
109N005	BUTTERFLY NETV. SYST. VALVE 140	3,27	0,04117	13,96	4
109N006	BUTTERFLY NETV. SYST. VALVE 160	4,62365	0,04460	19,22	4
109N007	BUTTERFLY NETV.SYST. VALVE 200/225	7,336	0,02244	7,83	1





ITEM 169 | Netvitc System valve

CÓDIGO	f	BRIDA	Pesos	A	B	C	D	J	PN	MEDIDA
9N001	63-75	75	1820	189	136	86	45	235	PN10	MÉTRICO
9N002	90	90	2140	213	130	97	45	235	PN10	MÉTRICO
9N003	110	110	2485	233	152	98	45	235	PN10	MÉTRICO
9N004	125	125	2895	244	170	108	45	270	PN10	MÉTRICO
9N005	140	140	3270	264	187	110	45	270	PN10	MÉTRICO
9N006	160	160	4225	286	214	121	45	270	PN10	MÉTRICO
9N007	200-225	200	4710	360	271	138	45	270	PN6	MÉTRICO



Product Documents



Product Certificates

Company Certificates

