



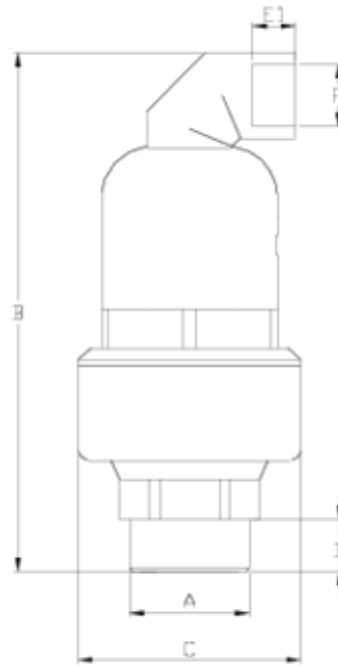
## Net air release valve

# Double effect (C2) - GRPP

## ITEM 314

REFERENCE	DESCRIPTION	Net weight	Volumen (m <sup>3</sup> )	Gross weight	Unidades lote
1017007	NET® AIR VALVE 3" PP DOUBLE EFFECT	0,833	0,03129	5,571	6





## ITEM 314 | Double effect (C2) - GRPP

Código	f A	Peso (g)	B	C	D	E	F	Material	PN	TIPO ROSCA
17006	2"	1025	260	112	30	21	1"	PPFV	PN16	BSP
17007	3"	1065	260	112	33	21	1"	PPFV	PN16	BSP
17506	2"	1065	260	112	30	21	1"	PA	PN25	BSP
17507	3"	1105	260	112	33	21	1"	PA	PN25	BSP



## Product Documents



## Product Certificates

## Company Certificates

