



## Net air release valve

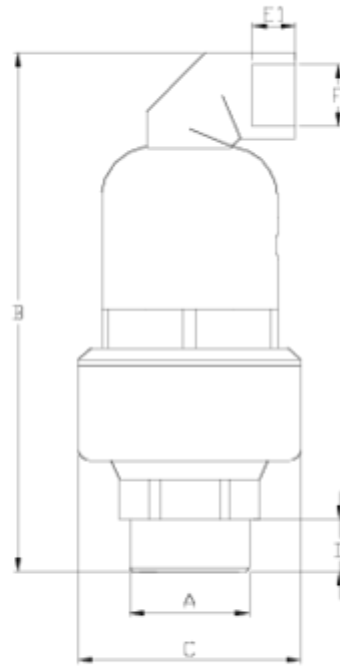
# Brass-base kinetic effect (C2)

## - PA

## ITEM 315

REFERENCE	DESCRIPTION	Net weight	Volumen (m <sup>3</sup> )	Gross weight	Unidades lote
1017706	NET® AIR VALVE 2" PA BRASS DOUBLE EFFECT	2,264	0,02244	14,124	6





## ITEM 315 | Brass-base kinetic effect (C2) - PA

Código	f A	Peso (g)	B	C	D	E	F	Material	PN	TIPO ROSCA
17306	2"	1944	260	112	30	21	1"	PPFV	PN16	BSP
17706	2"	1984	260	112	30	21	1"	PA	PN25	BSP



## Product Documents



## Product Certificates

## Company Certificates

