



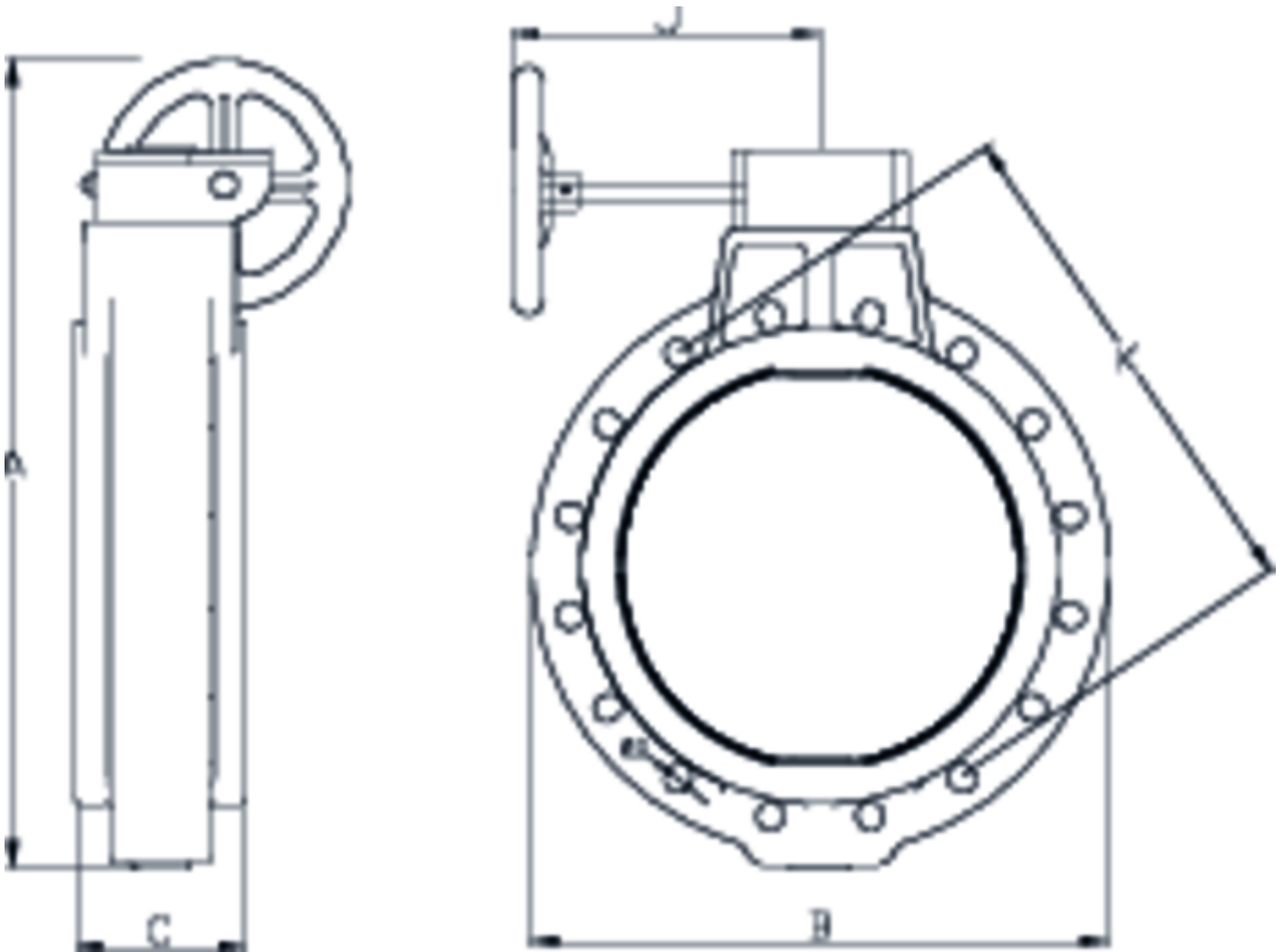
## Butterfly valves

# Implex butterfly valve Ø400

## ITEM 187XXL

REFERENCE	DESCRIPTION	Net weight	Volumen (m <sup>3</sup> )	Gross weight	Unidades lote
1009651	PP-R EPDM IMPLEX V. W/FLANGE,CATCH 400	95,3	0,36961	99,08	1





## ITEM 187XXL | Implex butterfly valve Ø400

CÓDIGO	f	PESO	A	B	C	D	K	J	PN	MEDIDA
09636	400	31600	820	580	170	26x16	515	310	PN6	MÉTRICO



## Product Documents

## Product Certificates



## Company Certificates

