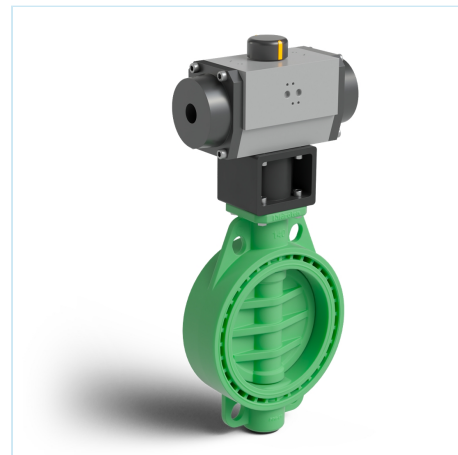




PP-RCT butterfly valves

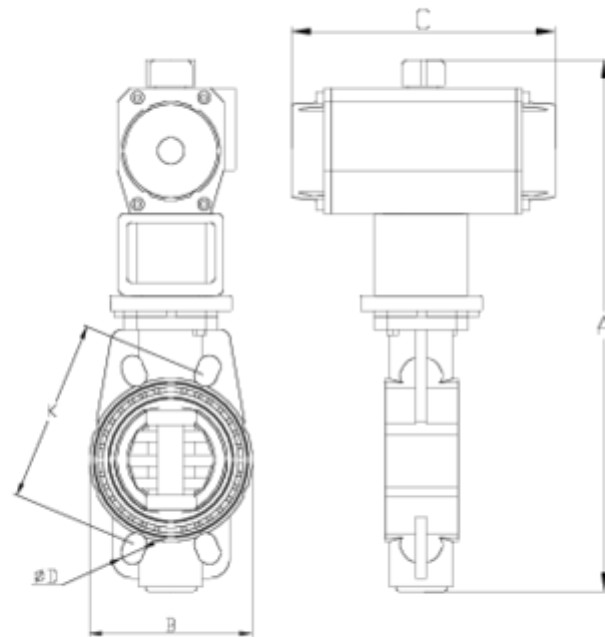
Green colour PP-RCT Implex butterfly valve pneumatic actuator S/E

ITEM 07P



| REFERENCE | DESCRIPTION | Net weight | Volumen (m ³) | Gross weight | Unidades lote |
|-----------|--|------------|---------------------------|--------------|---------------|
| 109P262 | V. M. IMPLEX PP-RCT ACT. NEUM. SE EPDM 63 VERDE | 4,67 | 0,03129 | 5,243 | 1 |
| 109P263 | V. M. IMPLEX PP-RCT ACT. NEUM. SE EPDM 75 VERDE | 4,71 | 0,02243 | 5,1977 | 1 |
| 109P264 | V. M. IMPLEX PP-RCT ACT. NEUM. SE EPDM 90 VERDE | 5,47 | 0,02243 | 5,9577 | 1 |
| 109P265 | V. M. IMPLEX PP-RCT ACT. NEUM. SE EPDM 110 VERDE | 9,32 | 0,04460 | 10,014 | 1 |
| 109P267 | V. M. IMPLEX PP-RCT ACT. NEUM. SE 125/140 VERDE | 13,05 | 0,06649 | 13,9705 | 1 |
| 109P268 | V. M. IMPLEX PP-RCT ACT. NEUM. SE EPDM 160 VERDE | 13,55 | 0,04460 | 14,244 | 1 |
| 109P269 | V. M. IMPLEX PP-RCT ACT. NEUM. SE EPDM 200 VERDE | 19,1 | 0,06649 | 20,0205 | 1 |





ITEM 07P | Green colour PP-RCT Iplex butterfly valve pneumatic actuator S/E

| CÓDIGO | Ø | DN | PESO | A | B | C | D | K | PN |
|--------|---------|-----|-------|-----|-----|-----|------|---------|----|
| 9P262 | 63 | 65 | 4295 | 376 | 136 | 210 | 18x4 | 125-145 | 10 |
| 9P263 | 75 | 65 | 4295 | 376 | 136 | 210 | 18x4 | 125-145 | 10 |
| 9P264 | 90 | 80 | 5186 | 400 | 130 | 210 | 18x8 | 146-160 | 10 |
| 9P265 | 110 | 100 | 8404 | 420 | 152 | 290 | 18x8 | 178-190 | 10 |
| 9P267 | 125/140 | 125 | 12636 | 500 | 187 | 310 | 18x8 | 210-216 | 10 |
| 9P268 | 160 | 125 | 13758 | 522 | 214 | 310 | 22x8 | 235-241 | 10 |
| 9P269 | 200 | 200 | 17520 | 596 | 270 | 362 | 22x8 | 292-298 | 6 |



Product Documents



Product Certificates

Company Certificates

