



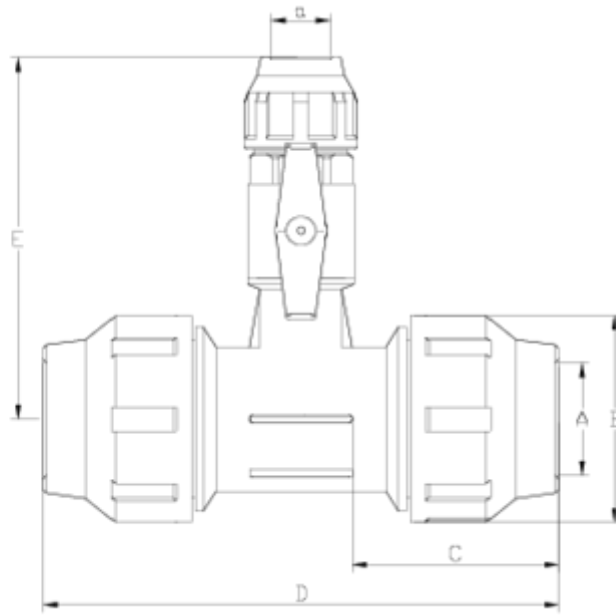
PP fittings for polyethylene

Fitting tee compact valve fitting

ITEM 898

REFERENCE	DESCRIPTION	Net weight	Volumen (m ³)	Gross weight	Unidades lote
1012386	COMPACT TEE FITTING O.32-20-32	0,4082	0,01553	3,592	8
1012387	COMPACT TEE FITTING O.32-25-32	0,3333	0,02243	3,154	8
1012392	COMPACT TEE FITTING O.63-25-63	1,291	0,04836	10,9931	8
1012393	COMPACT TEE FITTING O.63-32-63	1,25941	0,04836	10,74038	8





ITEM 898 | Fitting tee compact valve fitting

Código	A - a - A	Peso (g)	B	C	D	E	PN	MEDIDA
12386	32-20-32	342	64	70	170	143	PN16	MÉTRICO
12387	32-25-32	374	64	70	170	160	PN16	MÉTRICO
12392	63-25-63	1250	109	113	274	184	PN16	MÉTRICO
12393	63-32-63	1315	109	113	274	200	PN16	MÉTRICO



Product Documents



Product Certificates



Company Certificates

