



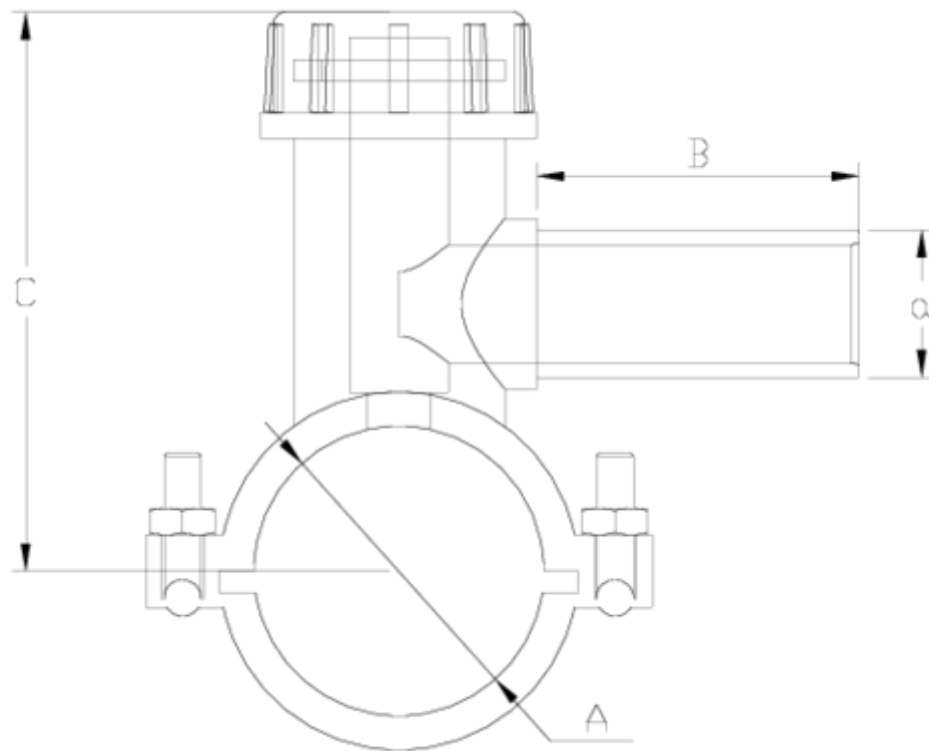
Electrofusion fittings/Welding fittings

Charged connection 360°

ITEM 423

REFERENCE	DESCRIPTION	Net weight	Volumen (m ³)	Gross weight	Unidades lote
1019240	CHARGED CONNECTION 360° 63-32	0,2321	0,02244	1,88	6
1019241	CHARGED CONNECTION 360° 63-63	1,4234	0,03129	7,69	5
1019242	CHARGED CONNECTION 360° 90-32	0,646	0,02244	2,478	3
1019243	CHARGED CONNECTION 360° 90-63	1,5014	0,03129	8,08	5
1019244	CHARGED CONNECTION 360° 110-32	0,8408	0,02244	3,01	3
1019245	CHARGED CONNECTION 360° 110-63	1,142433	0,02244	3,915	3





ITEM 423 | Charged connection 360°

Código	f tubo-A-a	Peso (g)	B	C	PN	MEDIDA
19157	63-32	715	35	94	PN16	MÉTRICO
19158	63-63	1455	54	94	PN16	MÉTRICO
19159	90-32	801	35	115	PN16	MÉTRICO
19160	90-63	1541	54	115	PN16	MÉTRICO
19161	110-32	860	35	125	PN16	MÉTRICO
19162	110-63	1590	54	125	PN16	MÉTRICO



Product Documents



Product Certificates

Company Certificates

