

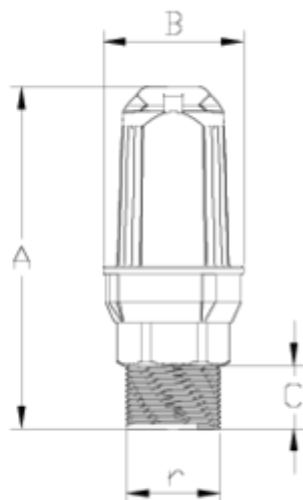


## Net air release valve

# Double effect "ECO" NPT ITEM 916

| REFERENCE | DESCRIPTION                             | Net weight | Volumen (m <sup>3</sup> ) | Gross weight | Unidades lote |
|-----------|---|------------|---------------------------|--------------|---------------|
| 1017510   | ECO AIR VALVE 3/4" NPT PA DOUBLE EFFECT | 0,089      | 0,01553                   | 3,202        | 32            |
| 1017511   | ECO AIR VALVE 1" NPT PA DOUBLE EFFECT   | 0,098228   | 0,01553                   | 3,47         | 32            |





## ITEM 916 | Double effect "ECO" NPT

| Código | r    | Peso (g) | A   | B  | C  | Material | PN   | TIPO ROSCA |
|--------|------|----------|-----|----|----|----------|------|------------|
| 17510  | 3/4" | 99       | 120 | 50 | 19 | PA       | PN16 | NPT        |
| 17511  | 1"   | 101      | 120 | 50 | 22 | PA       | PN16 | NPT        |



## Product Documents



## Product Certificates

## Company Certificates

