



## Net air release valve

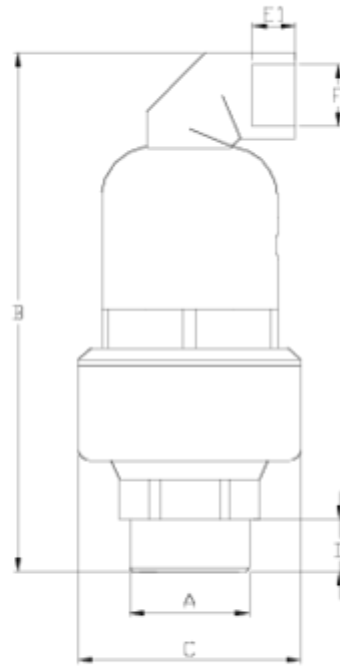
# double effect, brass base (C2)

## GRPP

### ITEM 315

REFERENCE	DESCRIPTION	Net weight	Volumen (m <sup>3</sup> )	Gross weight	Unidades lote
1017306	NET® AIR VALVE 2" PP BRASS DOUBLE EFFECT	1,88205	0,02244	11,78	6





## ITEM 315 | double effect, brass base (C2) GRPP

Código	f A	Peso (g)	B	C	D	E	F	Material	PN	TIPO ROSCA
17306	2"	1944	260	112	30	21	1"	PPFV	PN16	BSP
17706	2"	1984	260	112	30	21	1"	PA	PN25	BSP



## Product Documents



## Product Certificates

## Company Certificates

