

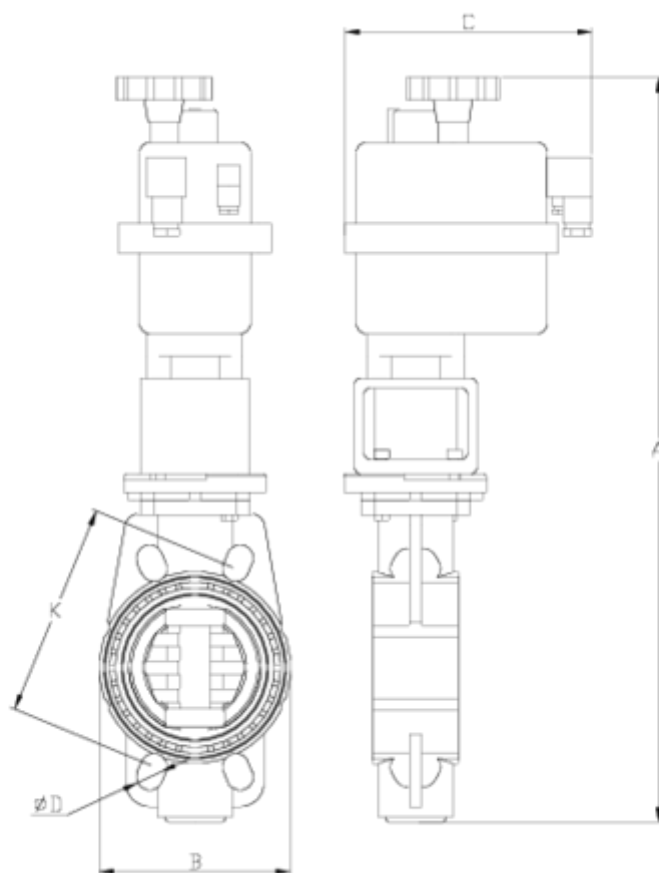


PP-RCT butterfly valves

Cream colour Implex butterfly valve with electric actuator ITEM 06P



REFERENCE	DESCRIPTION	Net weight	Volumen (m ³)	Gross weight	Unidades lote
109P087	V. M. IMPLEX PP-RCT ACT. ELEC. EPDM 63	3,2	0,03100	3,5569	1
109P088	V. M. IMPLEX PP-RCT ACT. ELEC. EPDM 75	3,24	0,04460	3,934	1
109P089	V. M. IMPLEX PP-RCT ACT. ELEC. EPDM 90	4,5	0,04460	5,194	1
109P090	V. M. IMPLEX PP-RCT ACT. ELEC. EPDM 110	4,9	0,04460	5,594	1
109P092	V. M. IMPLEX PP-RCT ACT. ELEC. EPDM 125/140	7,95	0,06149	8,8705	1
109P093	V. M. IMPLEX PP-RCT ACT. ELEC. EPDM 160	8,45	0,08677	9,4717	1
109P094	V. M. IMPLEX PP-RCT ACT. ELEC. EPDM 200	10,1	0,16000	12,555	1



ITEM 06P | Cream colour Iplex butterfly valve with electric actuator

CÓDIGO	Ø	DN	A	B	C	D	K	PESO	PN
9P087	63	65	453	136	177	18x4	125-145	2695	10
9P088	75	65	453	136	177	18x4	125-145	2695	10
9P089	90	80	477	130	177	18x8	146-160	4086	10
9P090	110	100	497	152	177	18x8	178-190	4404	10
9P092	125/140	125	583	187	235	18x8	210-216	8636	10
9P093	160	125	605	214	235	22x8	235-241	9758	10
9P094	200	200	679	270	235	22x8	292-298	10820	6



Product Documents



Product Certificates

Company Certificates

