



'Compact' ball valves

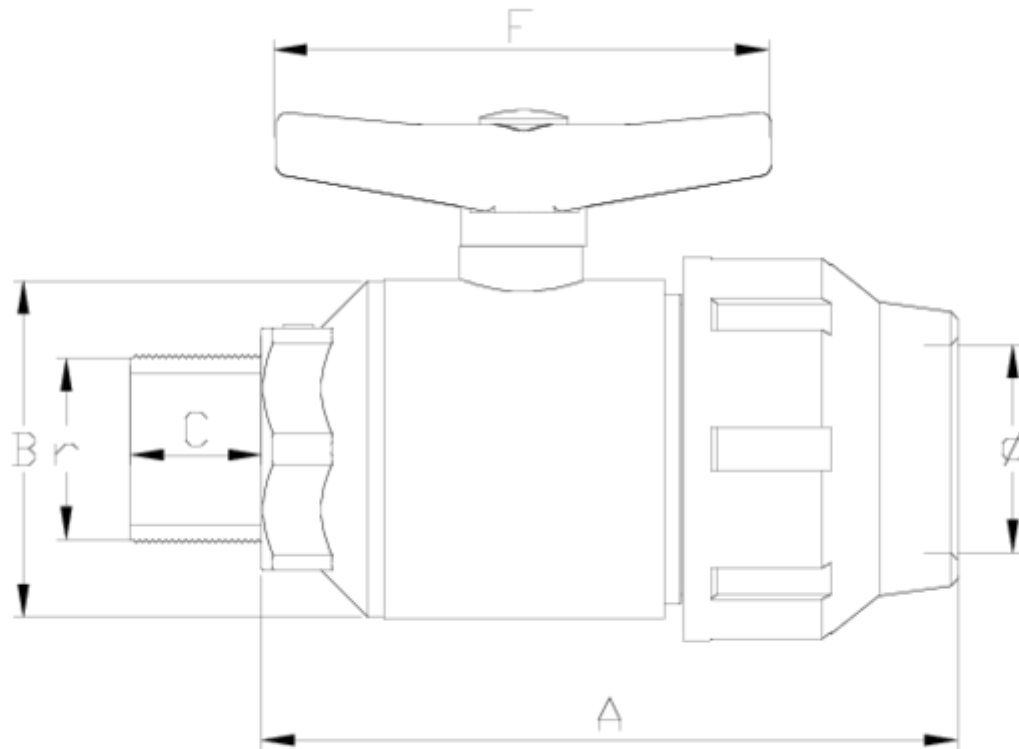
Fitting-male threaded outlet

FPM

ITEM 725

REFERENCE	DESCRIPTION	Net weight	Volumen (m ³)	Gross weight	Unidades lote
111C170	V.COMP FITTING R/M 20-1/2" FPM	0,156	0,01553	3,0804	20
111C171	V.COMP FITTING R/M 25-3/4" FPM	0,214	0,01553	3,9604	20
111C172	V.COMP FITTING R/M 32-1" FPM	0,304	0,02244	5,0775	15





ITEM 725 | Fitting-male threaded outlet FPM

CÓDIGO	d-r	DN	PESO (g)	A	B	C	F	PN	TIPO ROSCA
11C170	20-1/2"	15	156	135	48	14	80	PN10	BSP
11C171	25-3/4"	20	214	149	53	17	80	PN10	BSP
11C172	32-1"	25	304	171	59	19	101	PN10	BSP



Product Documents



Product Certificates

Company Certificates

