



'Compact' ball valves

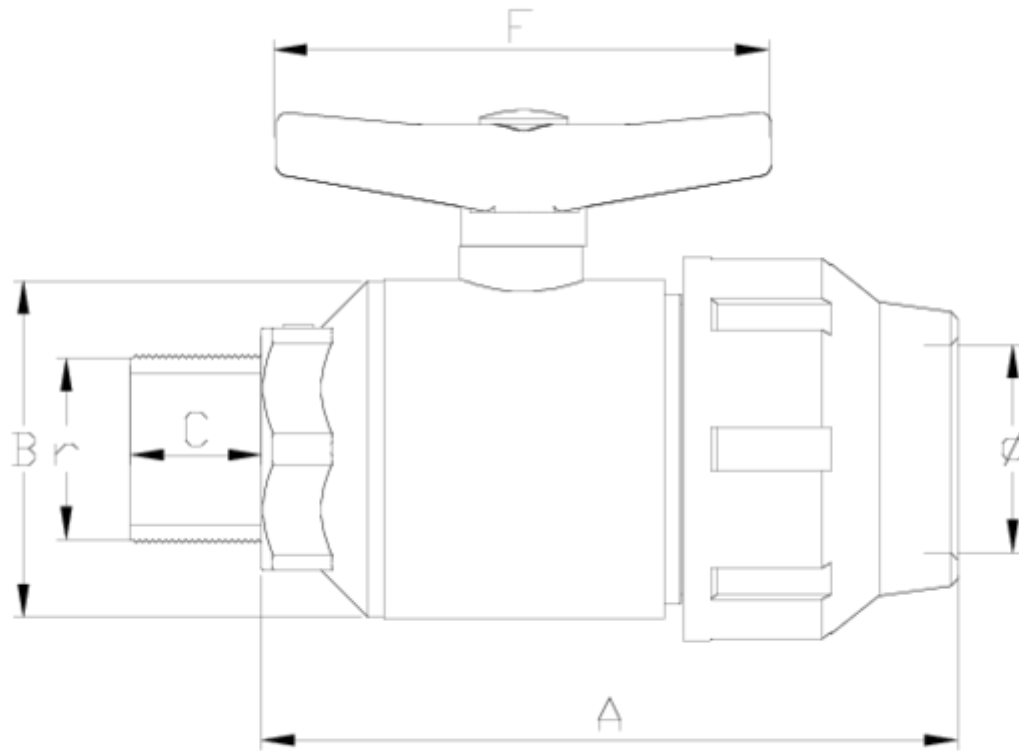
Fitting male threaded outlet

PTFE

ITEM 717

REFERENCE	DESCRIPTION	Net weight	Volumen (m ³)	Gross weight	Unidades lote
111C070	GFPP COMP.B.VALV. MALE THR.20-1/2"	0,156415	0,01553	3,505	20
111C071	GFPP COMP.B.VALV. MALE THR.25-3/4"	0,214165	0,01553	4,66	20
111C072	GFPP COMP.B.VALV. MALE THR.32-1"	0,3038	0,02244	5,082	15





ITEM 717 | Fitting male threaded outlet PTFE

CÓDIGO	d-r	DN	PESO (g)	A	B	C	F	PN	TIPO ROSCA
11C070	20-1/2"	15	156	135	48	14	80	PN10	BSP
11C071	25-3/4"	20	214	149	53	17	80	PN10	BSP
11C072	32-1"	25	304	171	59	19	101	PN10	BSP



Product Documents



Product Certificates

Company Certificates

