



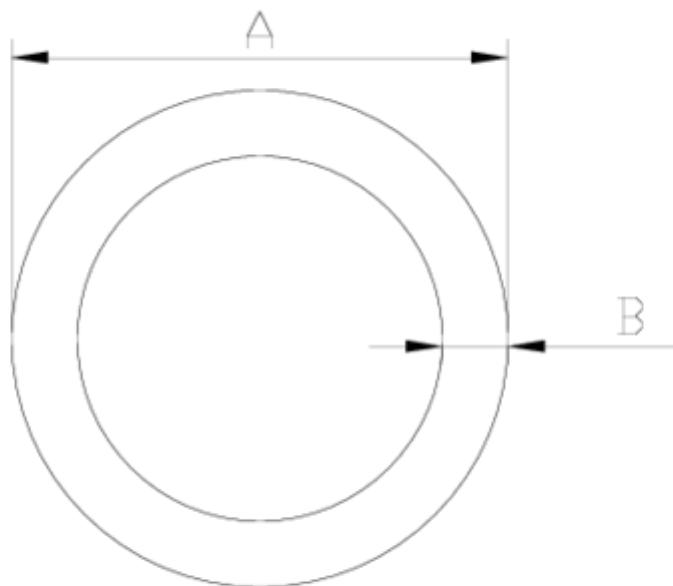
Clamp saddles

O-ring

ITEM 420

REFERENCE	DESCRIPTION	Net weight	Volumen (m ³)	Gross weight	Unidades lote
1098179	O- RING 11,5 X 3,00	0,0004	0,00000	0,004	100
1098119	O-RING 25,00*4,50	0,0018	0,00000	0,118	100
1098107	O-RING 110-125-140 DN100 (116,84X6,99)	0,0168	0,00000	0,084	100
1098109	O-RING 47,22*3,53	0,0019	0,00000	0,019	100





ITEM 420 | O-ring

Código	AxB
98179	11,5x3
98124	14x4
98125	19x4
98119	25x4,5
98104	34,52x3,53
98151	35x4,5
98109	47,22x3,53
98144	50x5
98105	56x5
98116	85,09x5,30



ITEM 420 | O-ring

98107

116,84x6,99



Product Documents



Product Certificates

Company Certificates

