



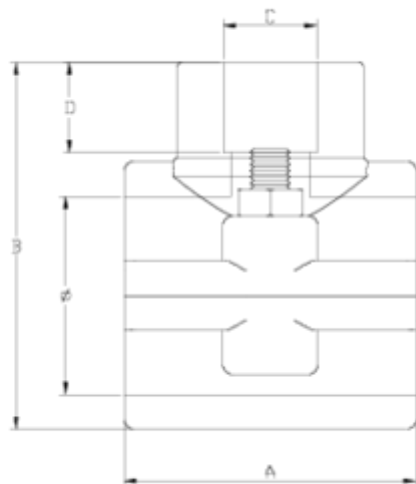
## Clamp saddles

# Clamp saddle 2 screws

## ITEM 124

REFERENCE	DESCRIPTION	Net weight	Volumen (m <sup>3</sup> )	Gross weight	Unidades lote
1003001	PP CLAMP SADDLE 25 1/2"	0,072091	0,03129	6,341	80
1003002	PP CLAMP SADDLE 25-3/4"	0,073404	0,02244	6,56	80
1003003	PP CLAMP SADDLE 32-1/2"	0,107538	0,02244	7,09	60
1003004	PP CLAMP SADDLE 32-3/4"	0,107788	0,02244	7,105	60
1003005	PP CLAMP SADDLE 40-1/2"	0,134846	0,03129	7,3153	50
1003006	PP CLAMP SADDLE 40-3/4"	0,136146	0,03129	7,3803	50
1003007	PP CLAMP SADDLE 40-1"	0,141346	0,03129	7,6403	50
1003008	PP CLAMP SADDLE 50-1/2"	0,127329	0,03129	6,3028	45
1003009	PP CLAMP SADDLE 50-3/4"	0,127996	0,02243	6,3328	45
1003010	PP CLAMP SADDLE 50-1"	0,135996	0,03129	6,693	45
1003123	PP CLAMP SADDLES 32-1"	0,131038	0,03129	8,5853	60
1003147	PP CLAMP SADDLE 20 1/2"	0,077966	0,03129	6,813	80
1003148	PP CLAMP SADDLE 20-3/4"	0,073841	0,02244	6,595	80





## ITEM 124 | Clamp saddle 2 screws

Código	f tubo - C	Peso (g)	A	B	D	PN	TIPO ROSCA
03147	20 - 1/2"	51	43	48	16	PN16	BSP
03148	20 - 3/4"	52	43	48	17	PN16	BSP
03001	25 - 1/2"	64	45	52	16	PN16	BSP
03002	25 - 3/4"	61	45	52	17	PN16	BSP
03003	32 - 1/2"	97	49	60	16	PN16	BSP
03004	32 - 3/4"	97	49	60	17	PN16	BSP
03123	32 - 1"	135	59	72	21	PN16	BSP
03005	40 - 1/2"	114	59	72	16	PN16	BSP
03006	40 - 3/4"	120	59	72	17	PN16	BSP
03007	40 - 1"	125	59	72	21	PN16	BSP



## ITEM 124 | Clamp saddle 2 screws

03008	50 - 1/2"	127	52	81	16	PN16	BSP
03009	50 - 3/4"	125	52	81	17	PN16	BSP
03010	50 - 1"	134	52	81	21	PN16	BSP



## Product Documents



## Product Certificates

## Company Certificates

