

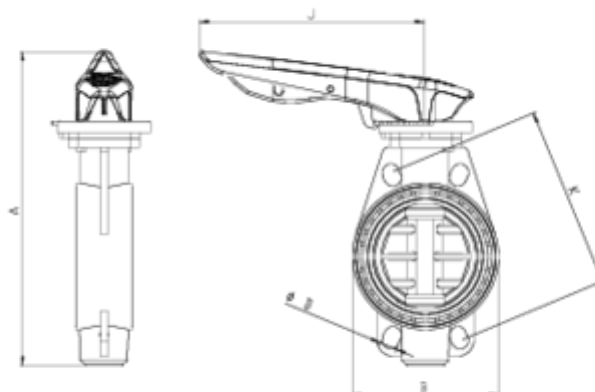


## Butterfly valves

# Implex valve catch handle - GFPP body - EDPM seal ITEM 192



REFERENCE	DESCRIPTION	Net weight	Volumen (m <sup>3</sup> )	Gross weight	Unidades lote
1009705	PP EPDM IMPLEX V. W/CATCH HANDLE 63	1,31425	0,03129	5,83	4
1009706	PP EPDM IMPLEX V. W/CATCH HANDLE 75	1,18565	0,03129	5,845	4
1009707	PP EPDM IMPLEX V. W/CATCH HANDLE 90	1,7079	0,04460	8,49	4
1009708	PP EPDM IMPLEX V. W/CATCH HANDLE 110	1,918	0,04460	9,33	4
1009709	PP EPDM IMPLEX V. W/CATCH HANDLE 125	2,2504	0,04460	10,66	4
1009710	PP EPDM IMPLEX V. W/CATCH HANDLE 140	2,582175	0,06347	12,25	4
1009711	PP EPDM IMPLEX V. W/CATCH HANDLE 160	3,098425	0,06347	14,315	4



## ITEM 192 | Implex valve catch handle - GFPP body - EDPM seal

CÓDIGO	f	PESO	A	B	C	D	K	J	PN	MEDIDA
09705	63	1116	264	136	50	18x4	125-145	235	PN10	MÉTRICO
09706	75	1116	264	136	50	18x4	125-145	235	PN10	MÉTRICO
09707	90	1648	288	130	57	18x8	146-160	235	PN10	MÉTRICO
09708	110	1856	308	152	60	18x8	178-190	235	PN10	MÉTRICO
09709	125	2100	344	170	62	18x8	190	270	PN10	MÉTRICO
09710	140	2360	364	187	65	18x8	210-216	270	PN10	MÉTRICO
09711	160	3024	386	214	69	22x8	235-241	270	PN10	MÉTRICO



## Product Documents



## Product Certificates



## Company Certificates

