



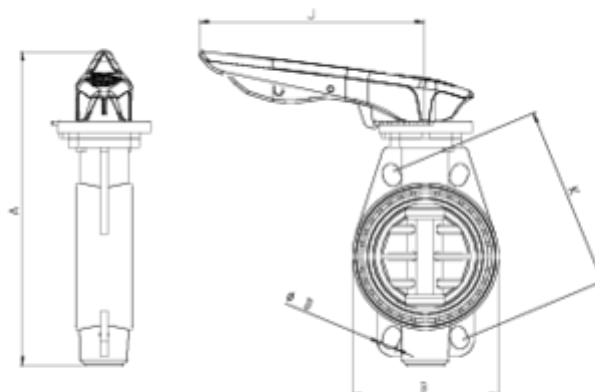
Butterfly valves

Implex valve catch handle - EPDM

ITEM 185



REFERENCE	DESCRIPTION	Net weight	Volumen (m ³)	Gross weight	Unidades lote
1009626	PVC EPDM IMPLEX VALVE 63	1,3969	0,03129	6,69	4
1009627	PVC EPDM IMPLEX VALVE 75	1,40065	0,03129	6,705	4
1009628	PVC EPDM IMPLEX VALVE 90	1,940875	0,04460	9,505	4
1009629	PVC EPDM IMPLEX VALVE 110	2,245875	0,04460	10,817	4
1009630	PVC EPDM IMPLEX VALVE 125	2,71	0,04460	12,607	4
1009631	PVC EPDM IMPLEX VALVE 140	2,979675	0,04460	13,54	4
1009632	PVC EPDM IMPLEX VALVE 160	3,704675	0,06347	16,74	4
1009633	PVC EPDM IMPLEX VALVE 200/225	5,7289	0,02244	6,24	1
1009634	PVC EPDM IMPLEX VALVE 250	10,2421	0,04460	10,9721	1
1009636	PP EPDM IMPLEX V. GEAR BOX 400 , SS304 SCREWS	32.92	0.36961	36.7	1



ITEM 185 | Implex valve catch handle - EPDM

CÓDIGO	f	PESO	A	B	C	D	K	J	PN	MEDIDA
09626	63	1395	264	136	50	18x4	125-145	235	PN10	MÉTRICO
09627	75	1395	264	136	50	18x4	125-145	235	PN10	MÉTRICO
09628	90	2060	288	130	57	18x8	146-160	235	PN10	MÉTRICO
09629	110	2320	308	152	60	18x8	178-190	235	PN10	MÉTRICO
09630	125	2625	344	170	62	18x8	190	270	PN10	MÉTRICO
09631	140	2950	364	187	65	18x8	210-216	270	PN10	MÉTRICO
09632	160	3780	386	214	69	22x8	235-241	270	PN10	MÉTRICO
09633	200/225	5620	460	270	71	22x8	292-298	270	PN6	MÉTRICO
09634	250	9982	570	321	108	22x12	350-362	415	PN6	MÉTRICO
09635	315	22000	695	370	131	22x12	400-432	240	PN6	MÉTRICO



ITEM 185 | Implex valve catch handle - EPDM

09636

400

31600

820

580

170

26x16

515

310

PN6

MÉTRICO



Pol. Ind. Plá Vallonga,
c/ Agua, 28
03006 ALICANTE (España)



+34 965 11 42 82



+34 965 11 48 62



tecnicocomercial@hidroten.es



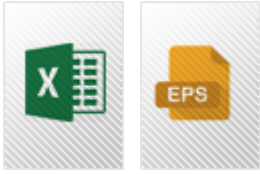
Technical &
Commercial Service
+ 34 966 105 888



www.hidroten.es



Product Documents



Product Certificates



Company Certificates

