



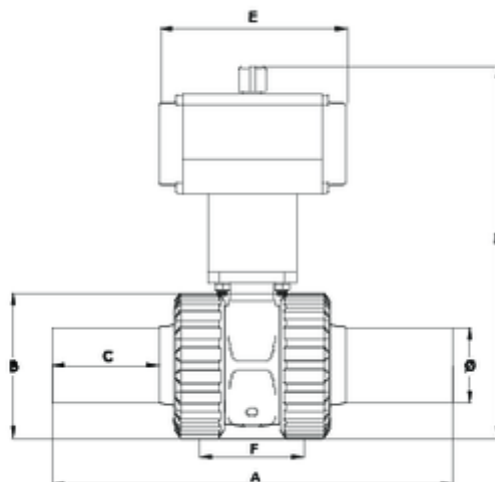
## 'basic' bi-directional ball valve

# Thermofusion outlet - single acting spring return actuator - PTFE

## ITEM 689



| REFERENCE | DESCRIPTION                                     | Net weight | Volumen (m <sup>3</sup> ) | Gross weight | Unidades lote |
|-----------|---|------------|---------------------------|--------------|---------------|
| 111D700   | BALL V.SING.ACT.PNEUM.ACCT.THERMO FUSION.OUT.20 | 1,6203     | 0,03648                   | 1,6203       | 1             |
| 111D701   | BALL V.SING.ACT.PNEUM.ACCT.THERMO FUSION.OUT.25 | 1,6675     | 0,03648                   | 1,6675       | 1             |
| 111D702   | BALL V.SING.ACT.PNEUM.ACCT.THERMO FUSION.OUT.32 | 1,855      | 0,03648                   | 1,855        | 1             |
| 111D703   | BALL V.SING.ACT.PNEUM.ACCT.THERMO FUSION.OUT.40 | 2,716      | 0,03648                   | 2,716        | 1             |
| 111D704   | BALL V.SING.ACT.PNEUM.ACCT.THERMO FUSION.OUT.50 | 3,3943     | 0,01553                   | 3,721        | 1             |
| 111D705   | BALL V.SING.ACT.PNEUM.ACCT.THERMO FUSION.OUT.63 | 3,602      | 0,04460                   | 3,602        | 1             |
| 111D706   | V.B.BID.ACT.NEUM.S/E S/TERMO 75                 | 5,568      | 0,02243                   | 0            | 1             |
| 111D707   | V.B.BID.ACT.NEUM.S/E S/TERMO 90                 | 11,43      | 0,02243                   | 11,9177      | 1             |



## ITEM 689 | Thermofusion outlet - single acting spring return actuator - PTFE

| CÓDIGO | f  | Actuador | PESO (g) | DN | A   | B   | C   | D   | E   | F   | PN   | MEDIDA  |
|--------|----|----------|----------|----|-----|-----|-----|-----|-----|-----|------|---------|
| 11D700 | 20 | H050SE   | 1386     | 15 | 212 | 55  | 65  | 192 | 138 | 44  | PN16 | MÉTRICO |
| 11D701 | 25 | H050SE   | 1428.92  | 20 | 221 | 62  | 65  | 197 | 138 | 49  | PN16 | MÉTRICO |
| 11D702 | 32 | H050SE   | 1558.8   | 25 | 256 | 72  | 70  | 208 | 138 | 66  | PN16 | MÉTRICO |
| 11D703 | 40 | H063SE   | 2418.7   | 32 | 261 | 88  | 70  | 248 | 155 | 71  | PN16 | MÉTRICO |
| 11D704 | 50 | H063SE   | 2675.84  | 40 | 285 | 103 | 79  | 265 | 155 | 75  | PN16 | MÉTRICO |
| 11D705 | 63 | H063SE   | 3139.8   | 50 | 327 | 120 | 89  | 307 | 155 | 89  | PN16 | MÉTRICO |
| 11D706 | 75 | H075SE   | 6020     | 65 | 369 | 150 | 91  | 376 | 210 | 119 | PN10 | MÉTRICO |
| 11D707 | 90 | H100SE   | 11050    | 80 | 410 | 181 | 100 | 426 | 280 | 140 | PN10 | MÉTRICO |



## Product Documents



## Product Certificates

## Company Certificates

