



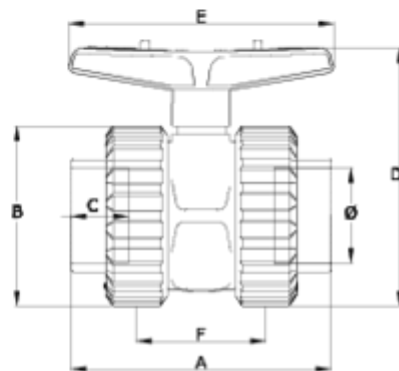
'basic' bi-directional ball valve

Solvent socket outlet - PTFE

ITEM 643

REFERENCE	DESCRIPTION	Net weight	Volumen (m ³)	Gross weight	Unidades lote
111D150	PTFE BIDIR.BASIC BALL VAL. PLAIN 20	0,1624	0,01553	6,8227	40
111D151	PTFE BIDIR.BASIC BALL VAL. PLAIN 25	0,21	0,02244	8,8877	40
111D152	PTFE BIDIR.BASIC BALL VAL. PLAIN 32	0,3891	0,03129	12,246	30
111D153	PTFE BIDIR.BASIC BALL VAL. PLAIN 40	0,59708	0,03129	12,5146	20
111D154	PTFE BIDIR.BASIC BALL VAL. PLAIN 50	0,8474	0,03129	13,284	15
111D155	PTFE BIDIR.BASIC BALL VAL. PLAIN 63	1,38222	0,03682	14,3714	10
111D156	PTFE BIDIR.BASIC BALL VAL. PLAIN 75	2,7218	0,03129	11,4602	4
111D157	PTFE BIDIR.BASIC BALL VAL. PLAIN 90	4,184	0,03129	8,86	2





ITEM 643 | Solvent socket outlet - PTFE

CÓDIGO	f	PESO (g)	DN	A	B	C	D	E	F	PN	MEDIDA
11D150	20	162	15	84	52	16	74	80	47	PN16	MÉTRICO
11D151	25	210	20	96	59	19	80	80	51	PN16	MÉTRICO
11D152	32	389	25	117	70	23	103	101	66	PN16	MÉTRICO
11D153	40	597	32	132	84	25	125	130	72	PN16	MÉTRICO
11D154	50	847	40	149	99	31	138	130	77	PN16	MÉTRICO
11D155	63	1382	50	173	121	38	177	170	90	PN16	MÉTRICO
11D156	75	2721	65	215	151	45	215	260	121	PN10	MÉTRICO





Product Documents



Product Certificates

Company Certificates

