



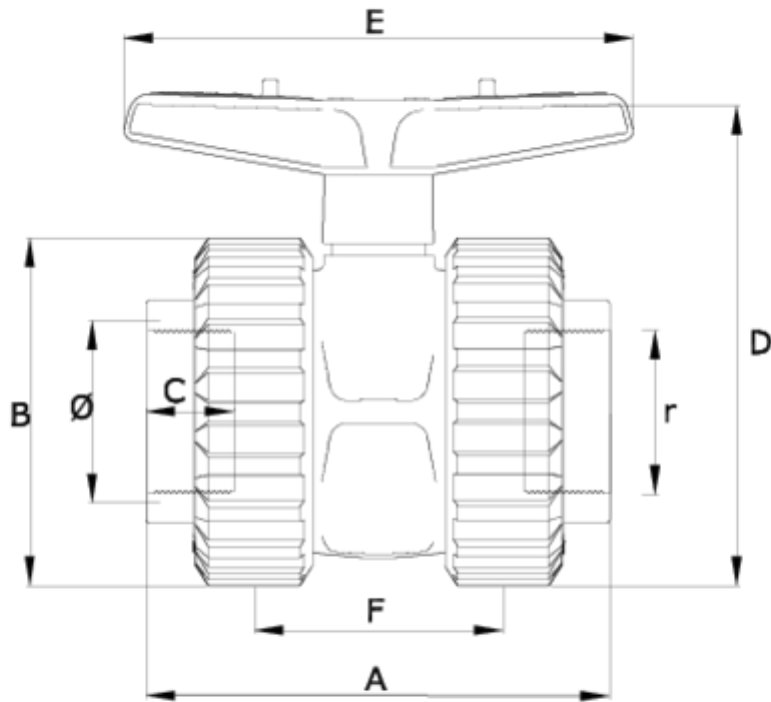
'basic' bi-directional ball valve

Female threaded outlet - PTFE

ITEM 646

REFERENCE	DESCRIPTION	Net weight	Volumen (m ³)	Gross weight	Unidades lote
111D140	PTFE BIDIR.BASIC BALL VAL. FEM.-FEM. TH.1/2"	0,17	0,01553	7,1267	40
111D141	PTFE BIDIR.BASIC BALL VAL. FEM.-FEM. TH. 3/4"	0,19	0,02244	8,0877	40
111D142	PTFE BIDIR.BASIC BALL VAL. FEM.-FEM. TH.1"	0,362	0,03129	11,433	30
111D143	PTFE BIDIR. BALL VAL. FEM.-FEM. TH. 1 1/4"	0,606	0,03129	13,56	20
111D144	PTFE BIDIR.BASIC BALL VAL. FEM.-FEM. TH.1 1/2"	0,856	0,03129	13,413	15
111D145	PTFE BIDIR.BASIC BALL VAL. FEM.-FEM. TH.2"	1,474	0,03682	15,2892	10
111D146	PTFE BIDIR.BASIC BALL VAL. FEM.-FEM. TH.2 1/2"	2,5	0,03129	10,573	4
111D147	PTFE BIDIR.BASIC BALL VAL. FEM.-FEM. TH.3"	4,36315	0,02243	9,214	2







CODIGO	T	(g)	DN	A	B	C	D	E	F	PN	ROSCA
11D140	1/2"	170	15	91	52	17	74	80	47	PN16	BSP
11D141	3/4"	190	20	101	59	20	80	80	51	PN16	BSP
11D142	1"	362	25	120	70	23	103	101	66	PN16	BSP
11D143	1 1/4"	606	32	134	84	26	125	130	72	PN16	BSP
11D144	1 1/2"	856	40	153	99	33	138	130	77	PN16	BSP
11D145	2"	1474	50	161	121	29	177	170	90	PN16	BSP
11D146	2 1/2"	2500	65	204	151	33	215	260	121	PN10	BSP
11D147	3"	4360	80	234	175	36	252	260	141	PN10	BSP



Product Documents



Product Certificates

Company Certificates

