



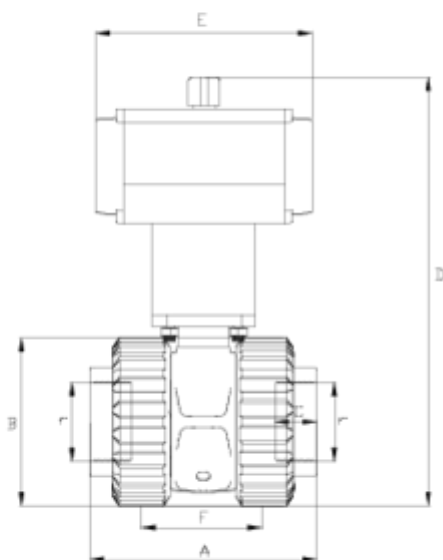
'basic' bi-directional ball valve

Female threaded outlet - double acting spring return actuator - PTFE ITEM 666



REFERENCE	DESCRIPTION	Net weight	Volumen (m ³)	Gross weight	Unidades lote
111D610	BALL V.DOUB.ACT.PNEUM.ACCT.F/T OUT. 20	0,866	0,01553	1,1927	1
111D611	BALL V.DOUB.ACT.PNEUM.ACCT.F/T OUT. 25	0,9255	0,00891	1,1129	1
111D612	BALL V.DOUB.ACT.PNEUM.ACCT.F/T OUT. 32	1,8504	0,03129	2,4234	1
111D613	BALL V.DOUB.ACT.PNEUM.ACCT.F/T OUT. 40	2,1096	0,03129	2,6826	1
111D614	BALL V.DOUB.ACT.PNEUM.ACCT.F/T OUT. 50	2,4855	0,03129	3,0585	1
111D615	BALL V.DOUB.ACT.PNEUM.ACCT.F/T OUT. 63	3,072	0,00891	3,2594	1
111D616	V.BOLA BIDIREC.ACT.NEUM. D/E R/H 75	6,154	0,04460	6,848	1
111D617	V.BOLA BIDIREC.ACT.NEUM. D/E R/H 90	7,26	0,04460	0	1





ITEM 666 | Female threaded outlet - double acting spring return actuator - PTFE

CÓDIGO	r	Actuador	PESO (g)	DN	A	B	C	D	E	F	PN	TIPO ROSCA
11D610	1/2"	H050DE	1280	15	86	55	17	192	138	44	PN16	BSP
11D611	3/4"	H050DE	1328	20	99	62	20	197	138	49	PN16	BSP
11D612	1"	H050DE	1476.8	25	122	72	23	209	138	66	PN16	BSP
11D613	1 1/4"	H050DE	1746.8	32	131	88	26	232	138	71	PN16	BSP
11D614	1 1/2"	H050DE	2062.4	40	155	103	33	249	138	75	PN16	BSP
11D615	2"	H050DE	2684	50	180	120	29	291	138	89	PN16	BSP
11D616	2 1/2"	H075DE	5610	65	202	150	33	375	210	119	PN10	BSP
11D617	3"	H075DE	7260	80	232	181	36	402	210	140	PN10	BSP



Product Documents



Product Certificates

Company Certificates

