

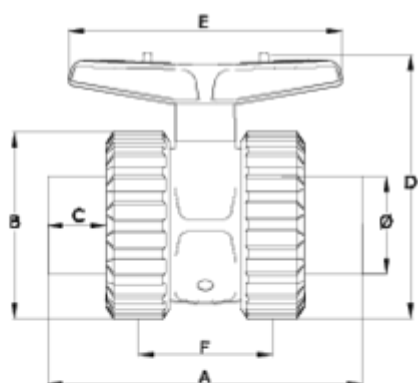


'basic' bi-directional ball valve

BIDIRECTIONAL BALL VALVE MALE SOLVENT SOCKET OUTLET FPM ITEM 788



REFERENCE	DESCRIPTION	Net weight	Volumen (m ³)	Gross weight	Unidades lote
111D250	V.BID. S/ENC MACHO 20 FPM	0,169	0,01553	7,0867	40
111D251	V.BID. S/ENC MACHO 25 FPM	0,215	0,02244	9,0877	40
111D252	V.BID. S/ENC MACHO 32 FPM	0,363	0,03129	11,463	30
111D253	V.BID. S/ENC MACHO 40 FPM	0,626	0,03129	13,093	20
111D254	V.BID. S/ENC MACHO 50 FPM	0,885	0,03129	13,848	15
111D255	V.BID. S/ENC MACHO 63 FPM	1,498	0,03682	15,5292	10



ITEM 788 | BIDIRECTIONAL BALL VALVE MALE SOLVENT SOCKET OUTLET FPM

CÓDIGO	f	PESO (g)	DN	A	B	C	D	E	F	PN	MEDIDA
11D250	20	158	15	104	55	16	74	80	44	PN16	MÉTRICO
11D251	25	200	20	112	62	19	80	80	49	PN16	MÉTRICO
11D252	32	332	25	142	72	23	103	101	66	PN16	MÉTRICO
11D253	40	574	32	165	88	25	125	130	71	PN16	MÉTRICO
11D254	50	838	40	180	103	31	138	130	75	PN16	MÉTRICO
11D255	63	1308	50	210	120	38	177	170	89	PN16	MÉTRICO



Product Documents



Product Certificates

Company Certificates

