

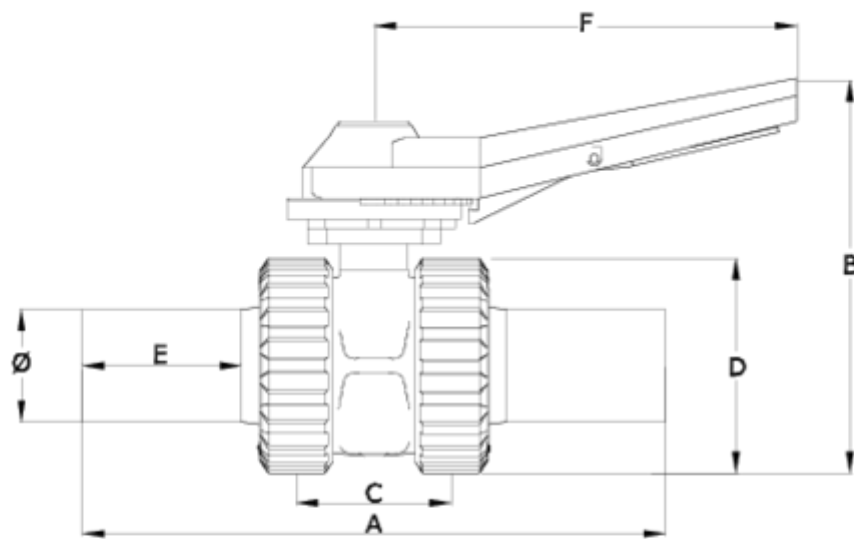


'Basic' ball valves

Thermofusion outlet - FPM - Catch handle system ITEM 502

REFERENCE	DESCRIPTION	Net weight	Volumen (m ³)	Gross weight	Unidades lote
1011715	FPM CATCH BALL V, THERMO OUT. 63	1,718	0,03682	7,522	4
1011716	FPM CATCH BALL V, THERMO OUT. 75	3,14	0,03682	13,21	4
1011717	FPM CATCH BALL V, THERMO OUT. 90	4,72	0,03682	10,09	2
1011718	FPM CATCH BALL V, THERMO OUT. 110	5,9	0,04460	12,64	2
1011719	FPM CATCH BALL V, THERMO OUT. 125	7,985	0,03682	8,635	1





ITEM 502 | Thermofusion outlet - FPM - Catch handle system

CÓDIGO	f tubo	PESO (g)	DN	A	B	C	D	E	F	PN	MEDIDA
11715	63	1718	50	328	220	90	121	89	235	PN16	MÉTRICO
11716	75	3140	65	366	250	121	151	95	235	PN10	MÉTRICO
11717	90	4720	80	397	271	141	175	97	235	PN10	MÉTRICO
11718	110	5900	100	435	287	155	210	102	270	PN10	MÉTRICO
11719	125	7985	113	640	323	161	228	135	270	PN10	MÉTRICO



Product Documents



Product Certificates

Company Certificates

