

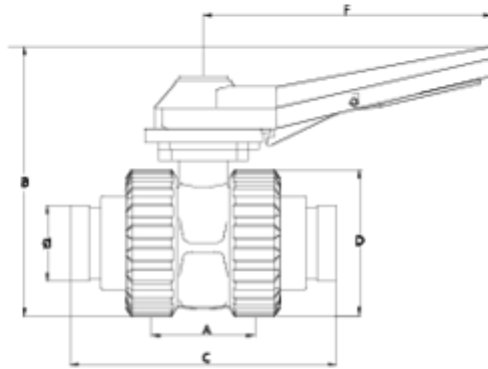


'Basic' ball valves

Netvitc outlet - PTFE - Catch handle system ITEM 501

REFERENCE	DESCRIPTION	Net weight	Volumen (m ³)	Gross weight	Unidades lote
1011971	PTFE BALL V. CATCH HANDLE NETVITC OUTLET 90	4,8	0,03682	10,23	2
1011972	PTFE BALL V. CATCH HANDLE NETVITC OUTLET 63	1,985	0,03682	8,57	4





ITEM 501 | Netvitc outlet - PTFE - Catch handle system

CÓDIGO	f tubo	PESO (g)	DN	A	B	C	D	F	PN	MEDIDA
11972	2"	1985	50	224	220	90	121	235	PN16	MÉTRICO
11971	3"	4800	80	334	271	141	175	235	PN10	MÉTRICO



Product Documents



Product Certificates

Company Certificates

