

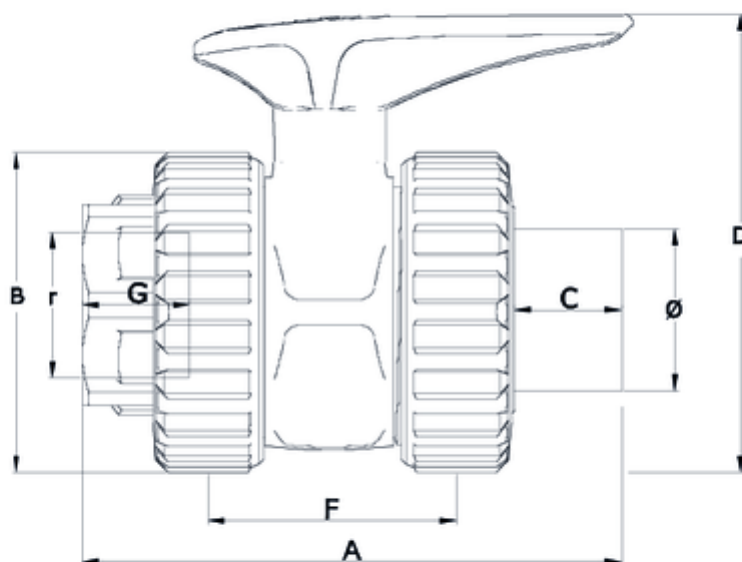


## 'Basic' ball valves

# BASIC BALL VALVE FEMALE THREAD - MALE SOLVENT SOCKET OUTLET FPM ITEM 783



REFERENCE	DESCRIPTION	Net weight	Volumen (m <sup>3</sup> )	Gross weight	Unidades lote
1011020	VALV. ENLACE ENC. MACHO-R/H 20-1/2" FPM	0,155	0,01553	6,52	40
1011021	VALV. ENLACE ENC. MACHO-R/H 25-3/4" FPM	0,2114	0,02243	8,945	40
1011022	VALV. ENLACE ENC. MACHO-R/H 32-1" FPM	0,3842	0,03129	12,1	30
1011023	VALV. ENLACE ENC. MACHO-R/H 40-1 1/4" FPM	0,557	0,03129	11,75	20
1011026	VALV. ENLACE ENC. MACHO-R/H 50-1 1/2" FPM	0,83	0,03129	13,07	15
1011027	VALV. ENLACE ENC. MACHO-R/H 63-2" FPM	1,365	0,03682	14,35	10



## ITEM 783 | BASIC BALL VALVE FEMALE THREAD - MALE SOLVENT SOCKET OUTLET FPM

CÓDIGO	f	PESO (g)	DN	A	B	C	D	F	G	PN	TIPO ROSCA
11020	20-1/2"	155	15	98	52	16	78	47	17	PN16	BSP
11021	25-3/4"	211	20	107	59	19	84	51	20	PN16	BSP
11022	32-1"	384	25	131	70	23	97	66	23	PN16	BSP
11023	40-1 1/4"	557	32	150	84	25	128	72	26	PN16	BSP
11026	50-1 1/2"	830	40	167	99	31	142	77	33	PN16	BSP
11027	63-2"	1365	50	186	121	38	165	90	29	PN16	BSP



## Product Documents



## Product Certificates

## Company Certificates

