

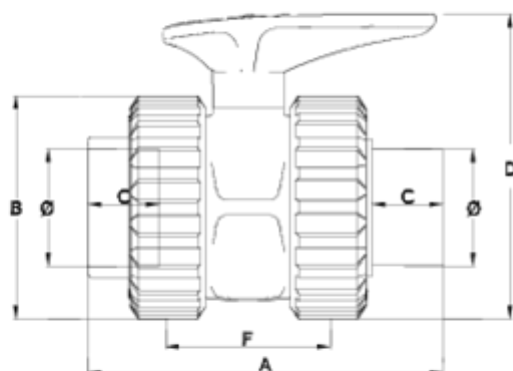


## 'Basic' ball valves

# BASIC BALL VALVE FEMALE - MALE SOLVENT SOCKET OUTLET PE ITEM 776



REFERENCE	DESCRIPTION	Net weight	Volumen (m <sup>3</sup> )	Gross weight	Unidades lote
1011438	BALL V.MALE-FEM PLAINØ20	0,153	0,00000	0	40
1011439	BALL V.MALE-FEM PLAINØ25	0,193	0,00000	0	40
1011440	BALL V.MALE-FEM PLAINØ32	0,322	0,00000	0	30
1011441	BALL V.MALE-FEM PLAINØ40	0,556	0,00000	0	20
1011442	BALL V.MALE-FEM PLAINØ50	0,8661	0,03129	13,564	15
1011443	BALL V.MALE-FEM PLAINØ63	1,4001	0,03682	14,55	10



## ITEM 776 | BASIC BALL VALVE FEMALE - MALE SOLVENT SOCKET OUTLET PE

CÓDIGO	f	PESO (g)	DN	A	B	C	D	F	PN	MEDIDA
11438	20	153	15	95	52	16	78	47	PN16	MÉTRICO
11439	25	193	20	99	59	19	84	51	PN16	MÉTRICO
11440	32	322	25	130	70	23	97	66	PN16	MÉTRICO
11441	40	556	32	148	84	25	128	72	PN16	MÉTRICO
11442	50	866	40	165	99	31	142	77	PN16	MÉTRICO
11443	63	1400	50	191	121	38	165	90	PN16	MÉTRICO



## Product Documents



## Product Certificates

## Company Certificates

