

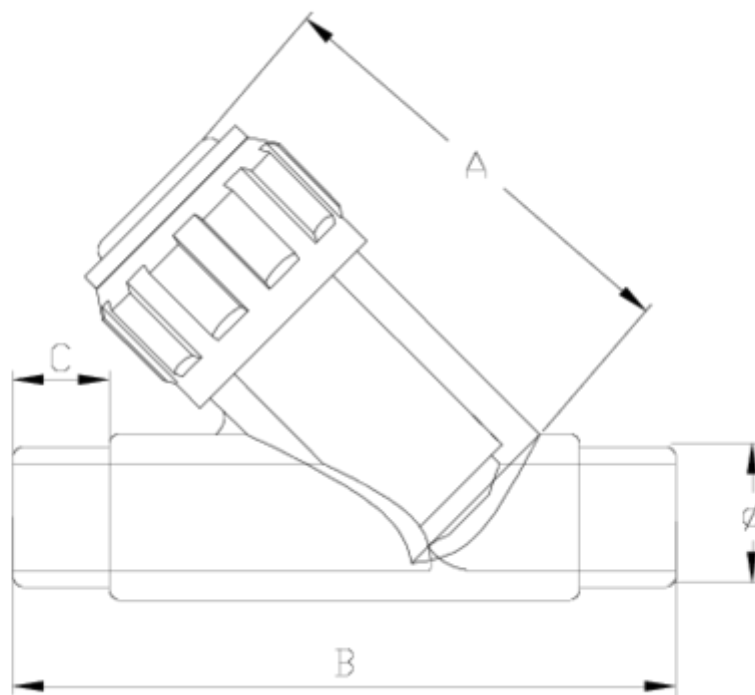


Angle seat valves and filters

Angle seat filter, male plain outlet - EPDM seal ITEM 535

REFERENCE	DESCRIPTION	Net weight	Volumen (m ³)	Gross weight	Unidades lote
1021401	ANGLE SEAT FILTER V.,M. S. SOCK/OUT 20	0,148	0,01553	1,48	10
1021402	ANGLE SEAT FILTER V.,M. S. SOCK/OUT 25	0,18723	0,01553	2,199	10
1021403	ANGLE SEAT FILTER V.,M. S. SOCK/OUT 32	0,2844	0,01553	3,171	10





ITEM 535 | Angle seat filter, male plain outlet - EPDM seal

CÓDIGO	f	DN	Peso (g)	A	B	C	PN	MEDIDA
21401	20	15	147.6	73	114	16	PN16	MÉTRICO
21405	25	20	212.4	85	134	19	PN16	MÉTRICO
21403	32	25	357.3	102	152	22	PN16	MÉTRICO



Product Documents



Product Certificates

Company Certificates

