

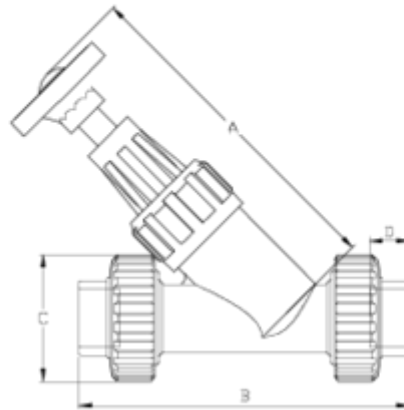


Angle seat valves and filters

Angle seat valve, solvent socket outlet ITEM 447

REFERENCE	DESCRIPTION	Net weight	Volumen (m ³)	Gross weight	Unidades lote
1021011	ANGLE SEAT V. FEM.20 SOLV.SOCKET	0,26535	0,03648	4,07	10
1021012	ANGLE SEAT V. FEM. SOLV.25 SOCKET	0,39335	0,03648	5,345	10
1021013	ANGLE SEAT V. FEM. SOLV.32 SOCKET	0,6348	0,03648	6,938	10





ITEM 447 | Angle seat valve, solvent socket outlet

CÓDIGO	f	DN	Peso (g)	A	B	C	D	PN	MEDIDA
21011	20	15	251	146	138	52	16	PN16	MÉTRICO
21012	25	20	380	173	162	59	19	PN16	MÉTRICO
21013	32	25	565	195	181	69	22	PN16	MÉTRICO



Product Documents



Product Certificates

Company Certificates

