

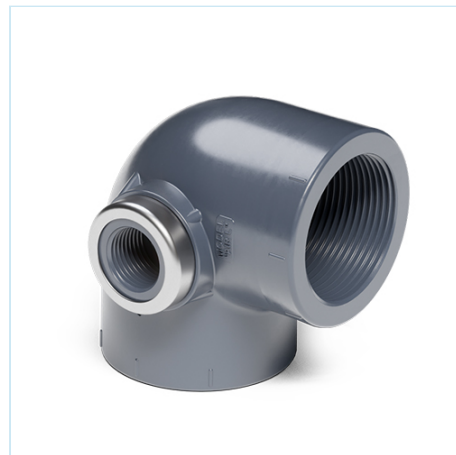


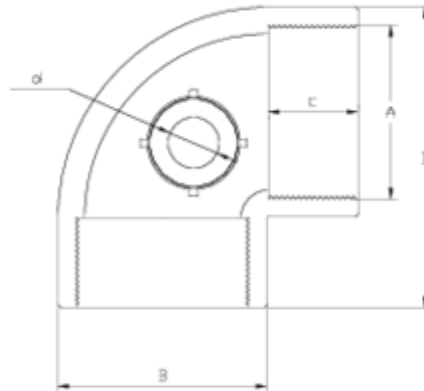
PVC-U pressure fittings

“air I” 90° elbow f/t -f/t outlet

ITEM 987

REFERENCE	DESCRIPTION	Net weight	Volumen (m ³)	Gross weight	Unidades lote
1002500		0,213	0,02243	6,8777	30
1002501		0,187	0,02243	6,0977	30
1002503		0,329	0,03129	9,127	26
1002504		0,33	0,03129	9,153	26





ITEM 987 | “air I” 90° elbow f/t -f/t outlet

Código	A	d	Peso (g)	B	C	D	PN	ROSCA
02500	1 1/2"	1/2"	148	61	31	88	PN10	BSP
02501	1 1/2"	3/4"	148	61	31	88	PN10	BSP
02503	2"	1/2"	235	76	38	109	PN10	BSP
02504	2"	3/4"	235	76	38	109	PN10	BSP



Product Documents



Product Certificates



Company Certificates

