



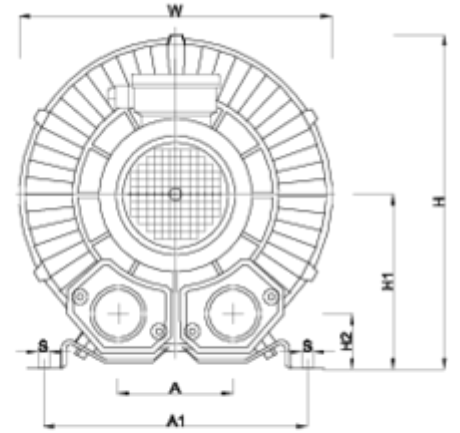
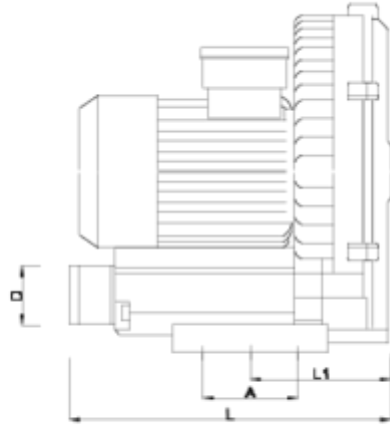
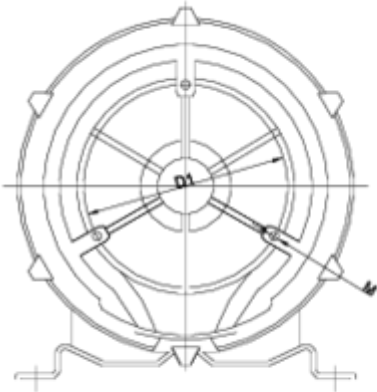
## Micro-irrigation fittings

# Air agitator continued use

## ITEM 948

REFERENCE	DESCRIPTION	Net weight	Volumen (m <sup>3</sup> )	Gross weight	Unidades lote
1007833	AIR AGITATOR CONTINUED USE 1,5KW	22,781	0,06640	23,89	1
1007834	AIR AGITATOR CONTINUED USE 2,2KW	30	0,08613	31,5	1







## Product Documents



## Product Certificates

## Company Certificates

