



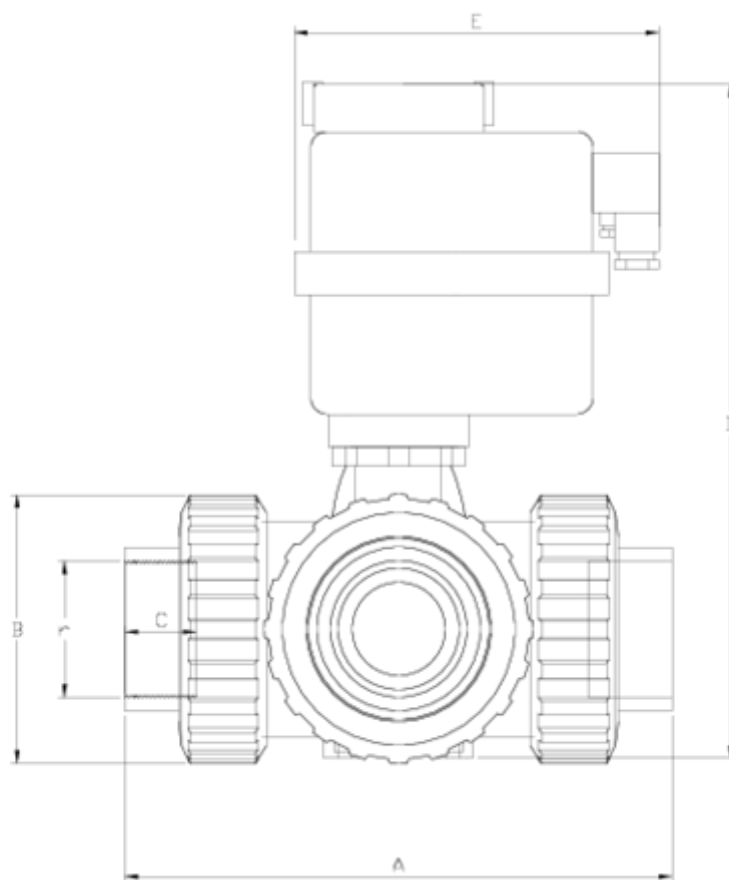
3-Way ball valve

THREADED FEMALE OUTLET - 220V ELECTRIC ACTUATOR - PTFE ITEM 858



REFERENCE	DESCRIPTION	Net weight	Volumen (m ³)	Gross weight	Unidades lote
111V213	3 WAY V. ELECT. FEM.THR. L PTFE 1"	1,59	0,01782	2,32	1
111V215	3 WAY V. ELECT. FEM.THR. L PTFE 1 1/2"	3,4964	0,04460	4,1622	1
111V216	3 WAY V. ELECT. FEM.THR. L PTFE 2"	4,439	0,04460	5,1048	1
111V217	3 WAY V. ELECT. FEM.THR. L PTFE 2 1/2"	7,355	0,04836	8,1985	1
111V253	3 WAY V. ELECT. FEM.THR. T PTFE 1"	1,6168	0,01782	2,3467	1
111V255	3 WAY V. ELECT. FEM.THR. T PTFE 1 1/2"	3,4964	0,04460	3,4964	1
111V256	3 WAY V. ELECT. FEM.THR. T PTFE 2"	4,439	0,03129	5,012	1
111V257	3 WAY V. ELECT. FEM.THR. T PTFE 2 1/2"	7,3559	0,04836	8,1994	1





ITEM 858 | THREADED FEMALE OUTLET - 220V ELECTRIC ACTUATOR - PTFE

PTFE	r	Actuador	PESO (g)	DN	Modelo	A	B	C	D	E	PN	TIPO ROSCA
11V213	1"	H10	1636	25	L	162	72	23	220	169	PN16	BSP
11V215	1 1/2"	H20	3531	40	L	210	103	33	279	177	PN16	BSP
11V216	2"	H35	4518	50	L	261	120	29	318	177	PN16	BSP
11V217	2 1/2"	H55	7513	65	L	322	150	33	384	177	PN10	BSP
11V253	1"	H10	1632	25	T	162	72	23	220	169	PN16	BSP
11V255	1 1/2"	H20	3521	40	T	210	103	33	279	177	PN16	BSP
11V256	2"	H35	4500	50	T	261	120	29	318	177	PN16	BSP
11V257	2 1/2"	H55	7473	65	T	322	150	33	384	177	PN10	BSP



Product Documents



Product Certificates

Company Certificates

